

7K1-7K2

Capillary Regulating Thermostat

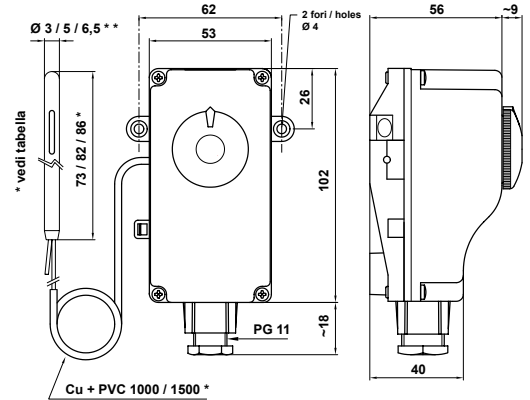
Regulating thermostat in a capillary enclosure with a liquid expansion sensor and external adjustment via knob (Mod. 7K1) or internal screwdriver adjustment (Mod. 7K2).



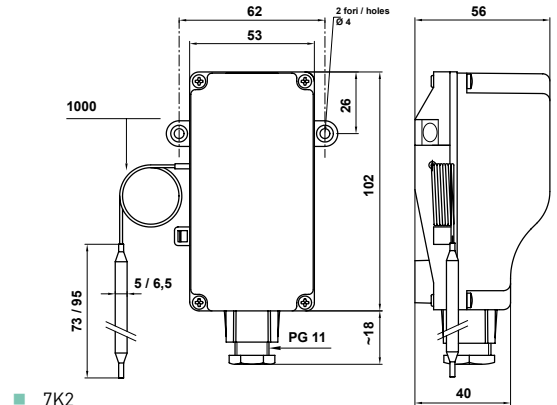
■ 7K1

■ 7K2

Dimensions (mm)



■ 7K1



■ 7K2

CODE	ADJUSTMENT RANGE °C	PROTECTION RATING	ADJUSTMENT TYPE		BULB DIMENSIONS mm	CAPILLARY LENGTH mm
			internal	external		
7K1-6R326-00A	0 ÷ 60 °C	IP43		•	Ø 6,5 x 73	1000
7K1-1R326-00A	0 ÷ 90 °C		•	Ø 6,5 x 73	1000	
7K1-1R336-00A	0 ÷ 90 °C		•	Ø 6,5 x 73	1500	
7K1-XR338-01A	0 ÷ 150 °C		•	Ø 5 x 86	1500	
7K1-HR337-00A	0 ÷ 300 °C		•	Ø 3 x 190 Inox	1500	
7K1-FR336-00A	-35 ÷ 35 °C		•	Ø 6,5 x 82	1500	
7K1-6S326-00A	0 ÷ 60 °C		IP55		•	Ø 6,5 x 73
7K1-6S326-01A	0 ÷ 60°C	•		Ø 5 x 95 Inox	1000	
7K1-1S326-00A	0 ÷ 90 °C	•		Ø 6,5 x 73	1000	
7K1-FS336-00A	-35 ÷ 35 °C	•		Ø 6,5 x 82	1500	
7K2-60326-00A	0 ÷ 60 °C	•		Ø 6,5 x 73	1000	
7K2-60326-01A	0 ÷ 60 °C	•		Ø 5 x 95 Inox	1000	
7K2-10326-00A	0 ÷ 90 °C	•		Ø 6,5 x 73	1000	
7K6-05366-00A	5 °C			fixed	Ø 6,5 x 73	3000

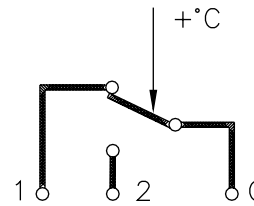
*IP43 protection degree, or IP55 in a waterproof enclosure, guaranteed when the device is mounted in a horizontal or vertical position with the cable gland facing downwards.

STANDARDS AND APPROVALS

Compliant with CE 0497 (PED) standards.

TECHNICAL SPECIFICATIONS


Tolerance: Min. temp. $\pm 5^{\circ}\text{C}$, max. temp. $\pm 3^{\circ}\text{C}$
 Thermal gradient: $1^{\circ}\text{C}/\text{min}$
 Control head temperature limit: T 85
 Max. sensing element withstand temperature: T 120
 Action type: 1B
 Contact rating: 16 (4)A 250V~ / 6 (1)A 400V~
 Insulation class: I
 Overvoltage category: II
 Rated impulse voltage: 4 kV
 Wiring requirements: Use heat-resistant cables (min. T 140)
 Device earthing: Via screw terminals
 Pollution degree: 2



Morsetti:
 1 = apre il circuito all'aumentare della temperatura
 2 = chiude il circuito all'aumentare della temperatura
 3 = comune

INSTALLATION

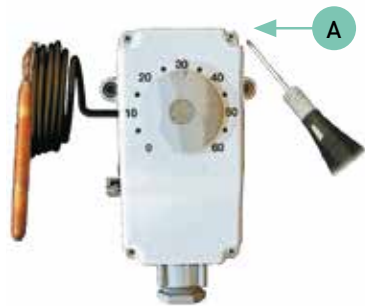
WARNING: The installation operations described below must be carried out exclusively by qualified personnel, in compliance with safety standards and current legal regulations.

 Disconnect the power supply before performing any operation.

Verify that the nameplate data of the device (supply voltage, contact rating, etc.) are suitable for the installation conditions.

7K1

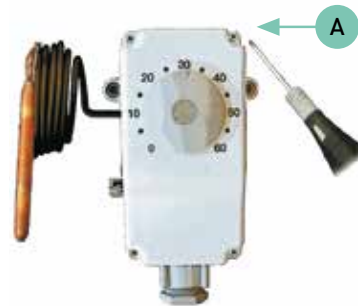
1 Unscrew the fixing screws (A) and remove the cover.



2 Make the electrical connections using the dedicated terminals.



3 Reassemble the cover, positioning the knob so that it fits correctly onto the thermostat shaft. Then, tighten the fixing screws (A).



4 Secure the device to the wall using screws (B).



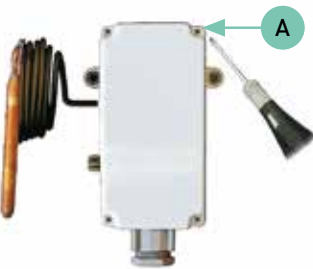
NOTE:

IP55 protection degree (Mod. 7K1-...S...) is guaranteed when the device is mounted vertically with the cable gland facing downwards.

IP43 protection degree (Mod. 7K1-...R...) is guaranteed when the device is mounted vertically with the cable gland facing downwards or horizontally.

7K2

1 Unscrew the fixing screws (A) and remove the cover.



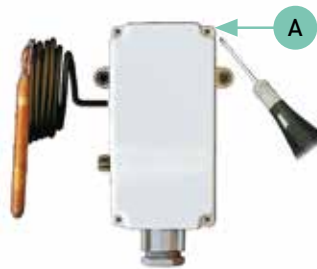
2 Make the electrical connections using the dedicated terminals.



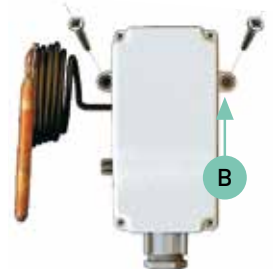
3 Set the trip temperature by rotating cam (C).



4 Reassemble the cover by tightening the fixing screws (A).



5 Secure the device to the wall using screws (B).



OPTIONS

Other temperature ranges are available upon request.