

# AXIAL FANS

## ASPIRVELO AIR ECO

- ➔ Suitable to extract the air directly outside or into short ducts
- ➔ Suitable for wall, ceiling and window installation
- ➔ Decorative front grille with side air extraction
- ➔ Brushless motor
- ➔ Low power consumption



Ø 100

### DESCRIPTION:

Aspirvelo Air modern and unique design makes it suitable for any environment.

For intermittent or continuous ventilation of bathrooms, kitchens or utility rooms of both domestic and commercial premises.

Thanks to its brushless motor and its reduced power consumption it makes it ideal for continuous operation.

Reduced noise levels thanks to the front grille and side air extraction.

The short mounting depth makes it ideal for installation close to pipe bends .

Suitable for window mounting with window mounting KIT.



IPX4 CE

### MAIN FEATURES:

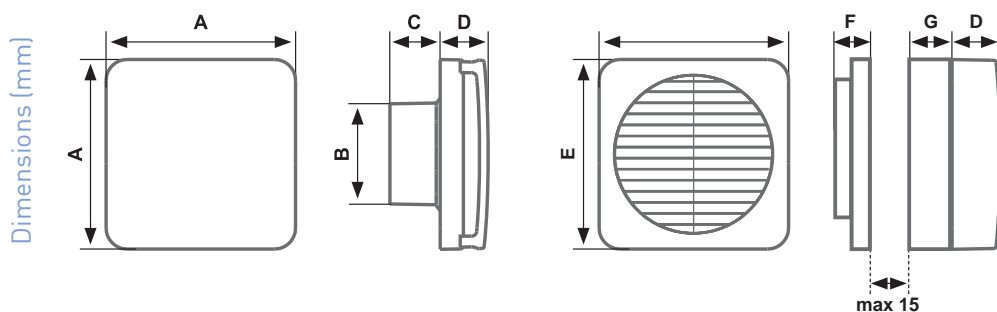
- Made of shockproof and anti-UV ABS plastic.
- Induction motor with thermal cut out - insulation class F
- Maximum ambient temperature 45 °C
- Very low power consumption: 5W only
- Brushless motor

### ACCESSORI:

- Window Kit
- Gravity shutter

# DIMENSIONS

MODEL	WALL application				WINDOW application		
	A	ØB	C	D	E	F	G
ASPIRVELO AIR ECO 10/4"	180	97,5	52	47	180	33,5	29



# TECHNICAL SPECIFICATIONS

## STANDARD - S

CODE	MODEL	m <sup>3</sup> /h	Pt max mmH <sub>2</sub> O	W	A	V~	Hz	dB(A) 1,5 mt	Kg
AP3090	ASPIRVELO AIR ECO 10/4"	80	4	5	0,021	230	50	37	0,7

# ACCESSORIES

## WINDOW APPLICATION KIT

Allows to realize an easy and safety installation on a single or double glazing window of thermopan type, up to a maximum thickness of 15 mm

CODE	MODEL	for use with:
AP0900	ASPIRKIT VETRO N	Aspirvelo Air Eco



# CHARACTERISTIC CURVES

ASPIRVELO AIR ECO 10/4"

