

Fan



CH110R Thermostat without batteries



EVWC8R Wiring center

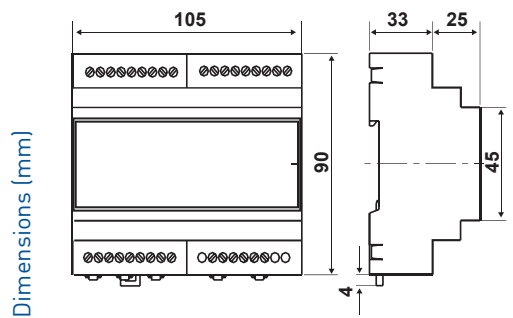
Wiring center 4-8 channels

Linkage with only 2 wires!

ON/OFF thermostat powered directly by wiring center



Wiring center suitable for 4 channels



CODE	Power supply	Max. load	Auxiliary relay pump	Operating admissible temperature	Consumption	Protection degree
EVWC4	230V 50Hz	3A	5(3)A	0 ÷ 45 °C	2,5 VA	IP20
EVWC4L	230V 50Hz	3A	-	0 ÷ 45 °C	0,2 VA	IP20

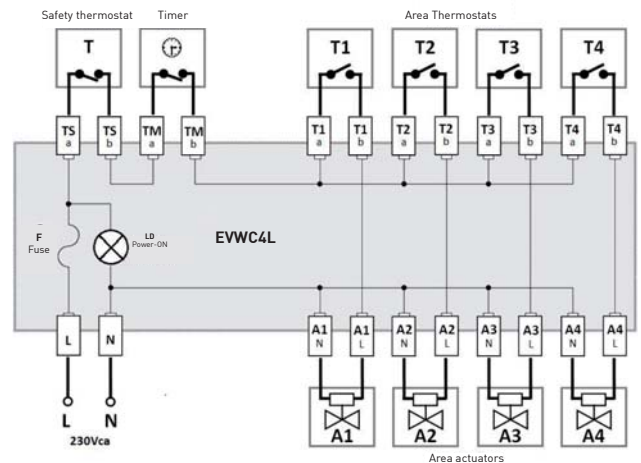
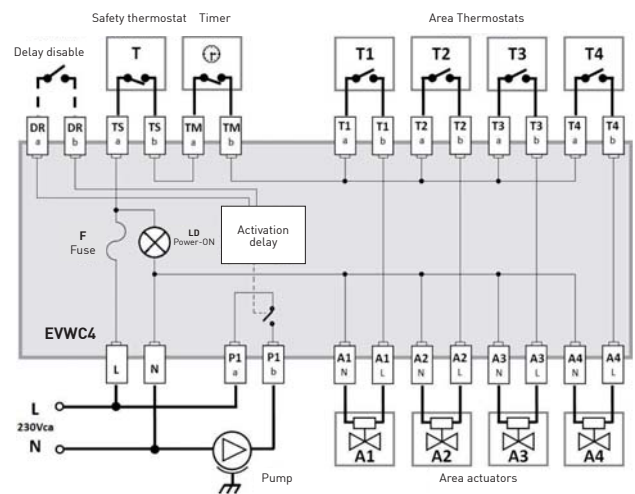
FEAUTURES

- 4 inputs for conventional room thermostats (ON/OFF type with free voltage output contact);
- 1 input for safety thermostat;
- 1 input for timer;
- Power on indicator;
- Fuse protection (3,15A/T);
- 4 outputs for thermal actuators (the contact rating is depending on the room thermostat);
- DIN-rail mounting (6 modules);
- Storage and transport temperature: -10°÷50°C.

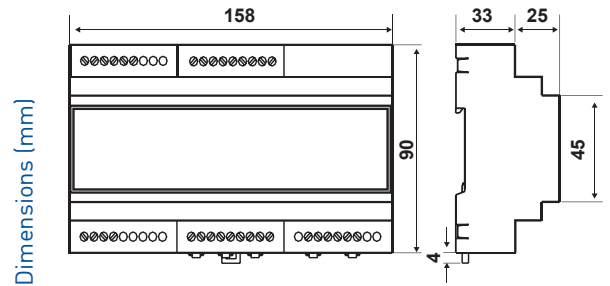
EVWC4 ADDITIONAL FEATURES

- Auxiliary control pump, with selectable instantaneous or delayed (4 minutes) activation;
- Voltage free contact output for auxiliary pump.

WIRING DIAGRAM



Wiring center suitable for 8 channels



CODE	Power supply	Max. load	Contacts rating	Auxiliary relay pump	Operating admissible temperature	Consumption	Protection degree
EVWC8	230V 50Hz	3A	-	5(3)A	0 ÷ 45 °C	2,5 VA	IP20
EVWC8L	230V 50Hz	3A	-	-	0 ÷ 45 °C	0,2 VA	IP20
EVWC8P	230V 50Hz	-	5(3)A	5(3)A	0 ÷ 45 °C	5 VA	IP20
EVWC8R	230V 50Hz	-	5(3)A	5(3)A	0 ÷ 45 °C	5 VA	IP20

FEAUTURES

- 8 inputs for conventional room thermostats (ON/OFF type with free voltage output contact);
- 1 input for safety thermostat;
- 1 input for timer;
- Power on indicator;
- Fuse protection (3,15A/T);
- 8 output for thermal actuators (the contact rating is depending on the room thermostat);
- DIN-rail mounting (9 modules);
- Storage and transport temperature: -10°÷50°C.

EVWC8 ADDITIONAL FEATURES

- Auxiliary control pump, with selectable instantaneous or delayed (4 minutes) activation;
- Voltage free contact output for auxiliary pump.

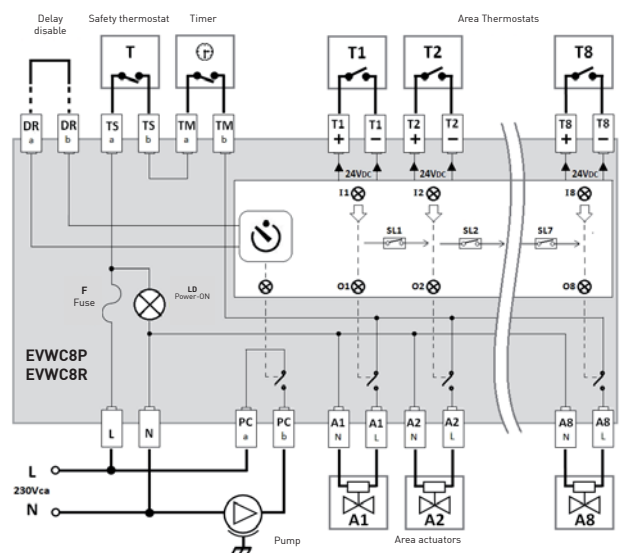
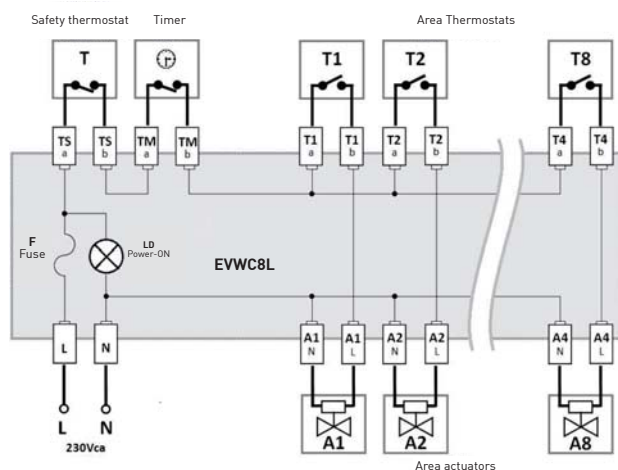
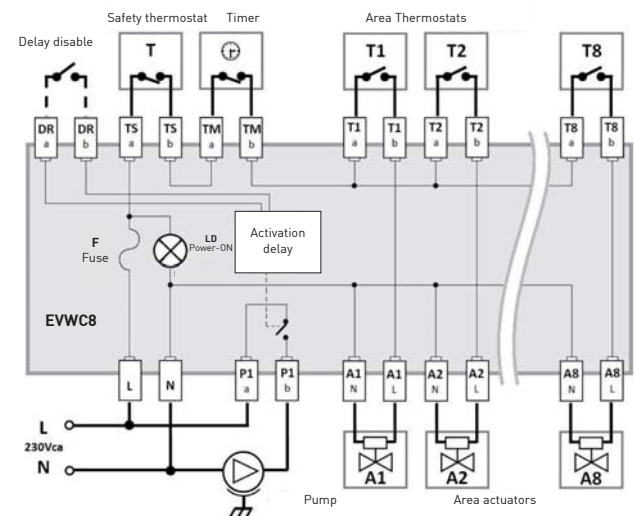
EVWC8R ADDITIONAL FEATURES

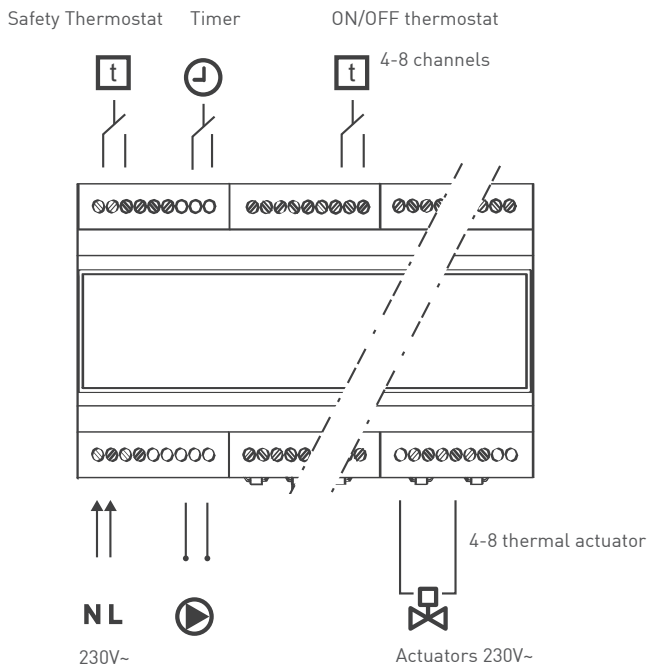
- 8 inputs for both conventional room thermostats or for Fantini Cosmi CH110R model powered directly by the output line;
- 8 outputs relay for thermal actuators.

EVWC8P ADDITIONAL FEATURES

- Selectors for driving more outputs with the same input (combination with programmable input - output);
- Selector for define all outputs in NO or NC mode;
- Inputs and outputs status indicated by LEDs.
- Auxiliary pump output status indicated by LED.

WIRING DIAGRAM





Suitable on/off thermostats and chronothermostats

CH150	chronothermostat with batteries
CH110	thermostat with batteries
CH110R	auto-powered thermostat
C16	electromechanical thermostat



Suitable safety thermostats

C01A	contact thermostat
C03A3S	immersion thermostat



Suitable timer

CH150	chronothermostat with batteries
CH140GSM	GSM chronothermostat
W04C	digital timer



Suitable ACTUATORS

O41NCMAUX	thermal actuator
-----------	------------------

