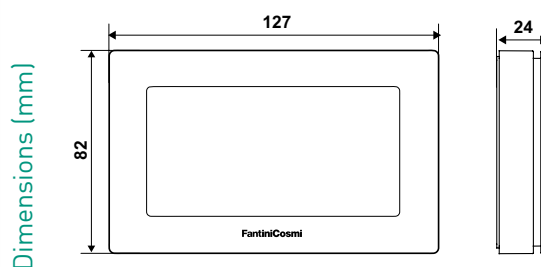


CH120-230V

Touch screen electronic room thermostat

Electronic room thermostat, with a white positive backlight LCD touch screen, to control heating and cooling installations.



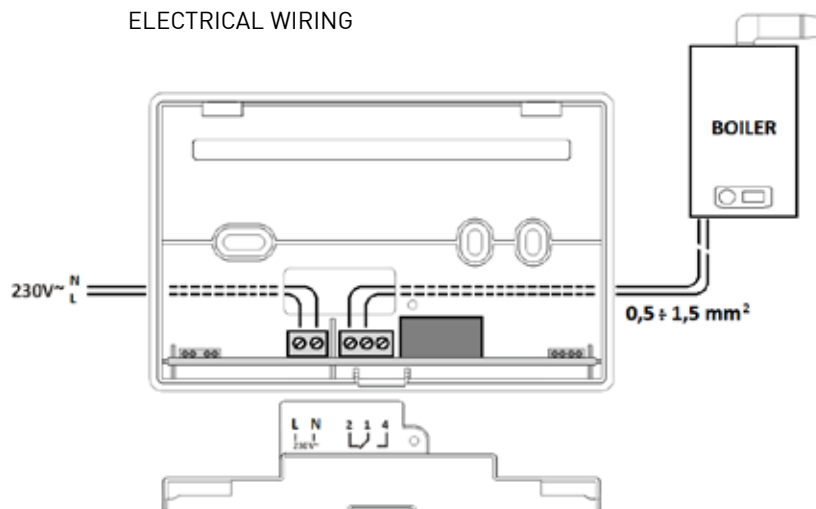
	Temperature regulation range	Differential* K	Body admissible temperature	Power supply	Contact rating	Protection degree
CH120-230V	2 ÷ 40 °C	0.3 ÷ 5	- 10 ÷ 50 °C	230V 50Hz	5(3)A 250Vca	IP20

* Differential values are referred to a thermal gradient of 4K/h.

ELECTRICAL FEATURES

- 230Vac power supply;
- SPDT free voltage contacts;
- Type of action: 1BU (micro disconnection);
- Double insulation;
- Impulse voltage 4000V;
- Class A Software.

ELECTRICAL WIRING



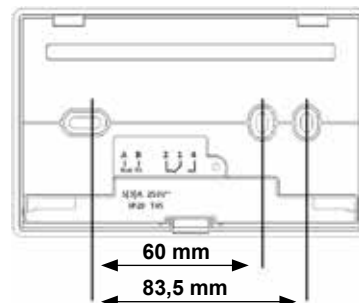
HOMOLOGATION AND STANDARDS

- Complies with EN 60730-1 standards;
- ErP Class IV; 2% (Reg. EU 811/2013 - 813/2013).



INSTALLATION

- Wall mounting or in 3-module embedded box (503) or in round box with axle spacing of 60 mm;
- It is supplied with a base suitable for installation in embedded (503) rectangular or round boxes, or on the wall;
- Two-wire connection with the boiler;
- No changes are necessary to the existing system.



OPERATION

- The backlighting touchscreen display allows intuitive use and easy programming.
- 3 operation modes:
 - ☀ COMFORT;
 - 🌙 ECONOMY;
 - ⏻ OFF operation mode can be used as “antifreeze” mode or to shutdown completely the system.
- 3 set temperatures:
 - COMFORT operates system’s comfort temperature that can be set from 2°C to 40°C;
 - ECONOMY operates system’s economy temperature that can be set from 2°C to 40°C;
 - OFF temperature set in the “regulation” mode from 0 to 7°C to ensure frost protection function.
- SUMMER-WINTER options.

FEATURES

- Wide display with graphic icons combined with frontal keys for choosing the operation mode;
- Display lock function for cleaning;
- Possibility to visualize Celsius or Fahrenheit temperature values;
- Maximum ambient temperature 50°C;
- Protection degree IP40;
- Pollution degree 2;
- Dimensions 127 x 82 x 24 mm.