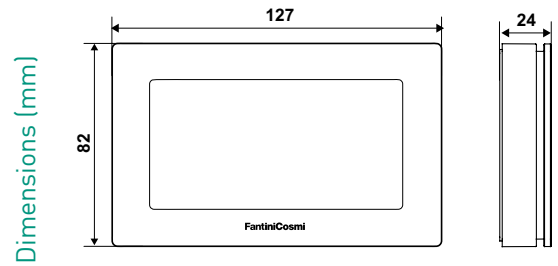


CH120

Touchscreen electronic room thermostat

Electronic room thermostat with microprocessor, white positive backlight LCD touch screen, to control heating and air conditioning installations



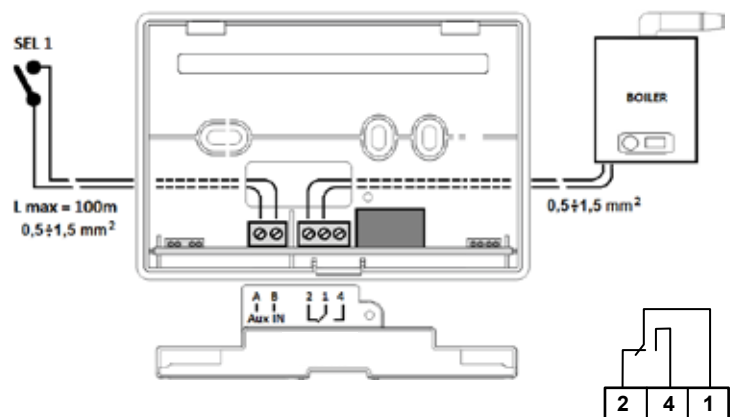
	Temperature regulation range	Differential* K	Body admissible temperature	Power supply	Contact rating	Protection degree
CH120	2 ÷ 40 °C	0.3 ÷ 5	- 10 ÷ 50 °C	2 batteries AA	5(3)A 250Vca	IP20

* Differential values are referred to a thermal gradient of 4K/h.

ELECTRICAL FEATURES

- Power supply with two 1,5V AA alkaline long life batteries.
- SPDT free voltage contacts;
- Type of action: 1BU (micro disconnection)
- Auxiliary input: 2 pole terminal block, suitable for ON/OFF free voltage contacts.
- Double insulation
- Impulse voltage 4000V
- Class A Software

ELECTRICAL WIRING



HOMOLOGATION AND STANDARDS

Complies with EN 60730-1 standards.

ErP Class IV; 2% (Reg. EU 811/2013 - 813/2013)



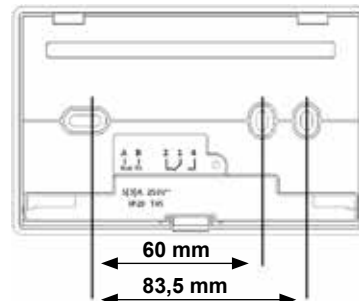
INSTALLATION

Wall mounting or in 3-module embedded box (503) or in round box with axle spacing of 60 mm.

It is supplied with a base suitable for installation in embedded (503) rectangular or round boxes, or on the wall.

Two-wire connection with the boiler.

No changes are necessary to the existing system.



OPERATION

The backlighting touchscreen display allows intuitive use and easy programming.

3 operation modes:

- COMFORT
- ECONOMY
- OFF operation mode can be used as “antifreeze” mode or to shutdown completely the system.

3 set temperatures:

- COMFORT operates system’s comfort temperature that can be set from 2°C to 40°C.
- ECONOMY operates system’s economy temperature that can be set from 2°C to 40°C.
- OFF temperature set in the “regulation” mode from 0 to 7°C to ensure frost protection function.

SUMMER-WINTER options

AUXILIARY INPUT SETTINGS:

- Not connected;
- ON-OFF input, if closed status OFF;
- Window sensor: if open Economy mode will be enabled;
- Reduced temperature: if closed the set point is reduced by 3°C;
- Remote change over: closed= EST - open=INV.

FEATURES

Wide display with graphic icons combined with frontal keys for choosing the operation mode

Display lock function for cleaning.

Possibility to visualize Celsius or Fahrenheit temperature values.

Battery operation life over 1 year.

Low battery charge indication.

Maximum ambient temperature 45°C.

Protection degree IP40.

Pollution degree 2.

Dimensions 127 x 82 x 24 mm