

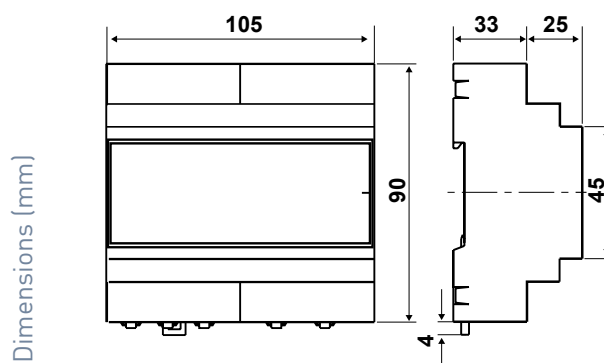
EVWC4L - EVWC4

4 inputs/4 outputs connection bars, with timer inputs and safety thermostat with circulation pump control

The connection bar is a device found in the distribution manifold box, which facilitates the connections between the room thermostats, the 230Vac thermal actuators and possibly a circulation pump.

EVWC4L: 4 inputs/4 outputs connection bar, with timer inputs and safety thermostat;

EVWC4: 4 inputs/4 outputs connection bar, with timer inputs and safety thermostat with circulation pump control.



| | Power supply | Max load | Circulation pump relay contact range | Absorbed power | Protection rating |
|--------|--------------|----------|--------------------------------------|----------------|-------------------|
| EVWC4L | 230V (24V*) | 3A | - | 0.2VA | IP20 |
| EVWC4 | 230V | 3A | 5 (3) A – 250Vac | 2.5VA | IP20 |

* The EVWC4L model can also be used with 24Vac power supply using 24Vac thermal actuators; in this case, the light indication is lost (🔌).

ELECTRICAL CHARACTERISTICS

Power supply: 230Vac \pm 10% - 50Hz

Absorbed power:

0.2VA max for EVWC4L

2.5VA max for EVWC4

Max applicable load total 3A

Delayed fuse protections 3.15A/T (5x20 mm type)

Circulation pump relay contact range 5 (3) A – 250Vac (only for EVWC4)

Maximum cable cross-section 2.5 mm²

HOMOLOGATION AND STANDARDS

Compliant to EN60730-1 and second parts

INSTALLATION

DIN rail mounting (6 modules).

Connect the device to the power supply by means of a two-pole switch that complies with the current regulations and with a contact opening distance of at least 3mm between each pole.

The installation and electrical connections must be carried out by skilled personnel and in compliance with current regulations.

OPERATION

The inputs for the room thermostats (T1-T4) are the ON/OFF type and allow any type of electromechanical or electronic self-powered thermostat to be connected, equipped with an NO potential-free output contact.

There are two other ON/OFF inputs that allow auxiliary devices to be connected, with an NC potential-free output contact, in order to subordinate the activation of the thermal actuators to the consent of a Safety Thermostat (ST) or to a programmable timer (TM) to control the activation time bands. If the ST or TM inputs are not used, implement a jumper on the respective terminals to give consent to the command of the actuators.

The current capacity of the outputs for the 230Vac thermal actuators (A1-A4) depends on the capacity of the contacts of the respective room thermostat, since this device is in fact a connection terminal board between the two. However, the maximum absorption of all thermal actuators must not exceed the maximum applicable load indicated in the technical characteristics.

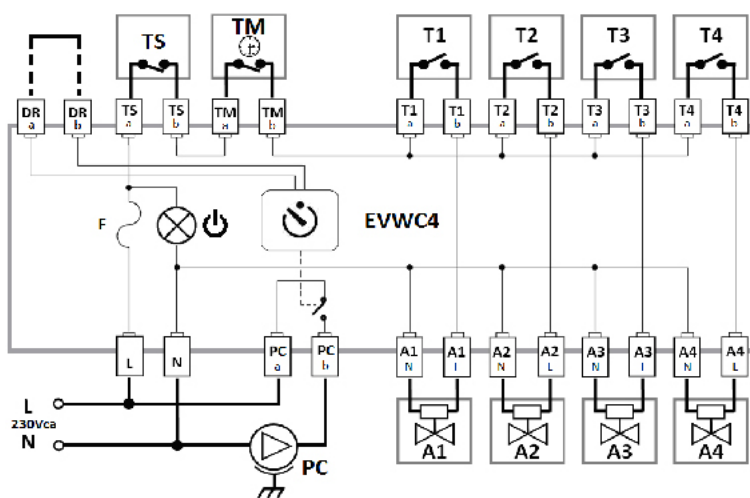
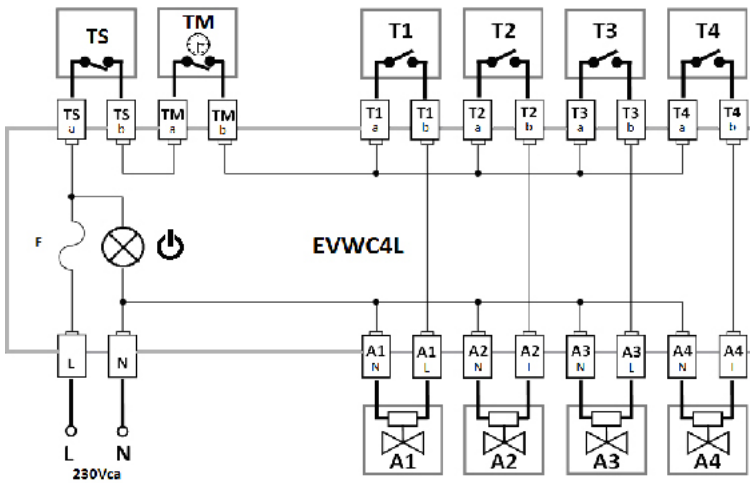
The EVWC4L/EVWC4 bars are equipped with an internal protection fuse (F), in case of short circuits that could occur during installation or while the system is running; the fuse can be accessed by removing the top front plastic panel.

The light indication (Ⓜ) indicates the intact fuse (F).

VARIANT FOR EVWC4:

The EVWC4 model is equipped with a relay output (NO potential-free contact) to control the circulation pump. When one or more actuators are triggered by the respective thermostats, after a delay of about 4 minutes, the pump control contact (PC) is activated; the control remains active as long as at least one actuator is active. The pump activation delay can be cancelled by closing the "disable delay" input (DR); it is advisable to keep the delay active so as to prevent the pump from working under stress, during the time necessary for the thermal actuator to fully open the manifold valve. The circulation pump output is not protected by the fuse.

DESCRIPTION OF ELECTRICAL CONNECTIONS



T1-T4 Zone thermostats with NO potential-free contact



TS Safety thermostat with NC potential-free contact



TM Timer to control the operation time bands, with an NC potential-free contact



A1-A4 Thermal actuators 230Vac

Ⓜ When the warning light is on it indicates that the fuse (F) is intact.

DR Close the DR input to deactivate the activation delay of the circulation pump.

PC Circulation pump; the PC output is not protected by the fuse (F).

Ⓜ The pump activation delay is about 4 minutes; it can be deactivated by closing the DR contact.

SPECIFICATIONS

Operating temperature 0°C- 45°C, RH 80% max non-condensing.

Storage temperature -10°C - 50°C.