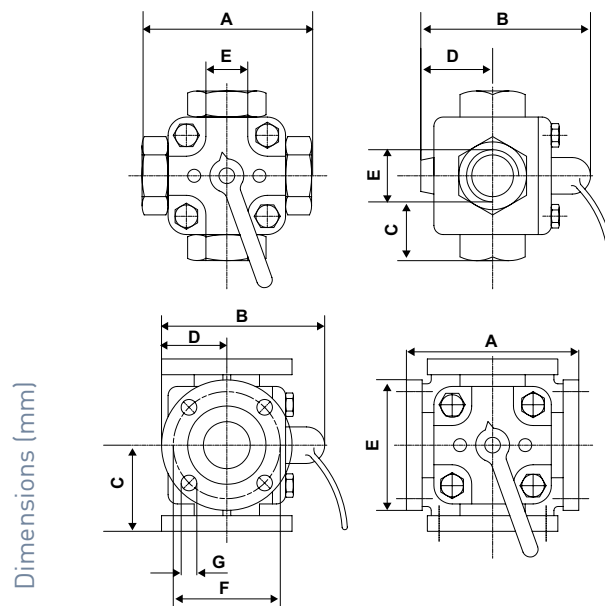


# ZC4

## 4-way sector mixing valves

3-way sector valve bodies for hot water heating installations. These valves can be installed as mixing valves and as deflection valves. Suitable for medium and large systems.



Connection	A	B	C	D	E	F	G
3/4"	110	122	55	40	25	-	-
1"	110	122	55	40	31	-	-
1 1/4"	130	145	65	55	40	-	-
1 1/2"	130	145	65	55	45	-	-
40	180	155	90	65	130	100	14
50	180	165	90	70	140	110	14
65	200	185	100	80	160	130	14
80	230	205	115	95	190	150	18
100	260	225	130	105	210	170	18

	KV	Connection	Connection type	Servocontrol	Unit weight Kg	Protection degree
ZC4M	11 m <sup>3</sup> /h	G 3/4	female threaded PN6	024A-024B-034A	2.67	IP40
ZC4A	20 m <sup>3</sup> /h	G 1	female threaded PN6	024A-024B-034A	2.92	IP40
ZC4B	30 m <sup>3</sup> /h	G 1 1/4	female threaded PN6	024A-024B-034A	4.55	IP40
ZC4C	60 m <sup>3</sup> /h	G 1 1/2	female threaded PN6	024A-024B-034A	4.75	IP40
ZC440	60 m <sup>3</sup> /h	DN 40	flange PN6	024A-024B-034A	8.15	IP40
ZC450	80 m <sup>3</sup> /h	DN 50	flange PN6	024A-024B-034A	9.88	IP40
ZC465	150 m <sup>3</sup> /h	DN 65	flange PN6	024A-024B-034A	13.43	IP40
ZC480	200 m <sup>3</sup> /h	DN 80	flange PN6	024A-024B-034A	22.86	IP40
ZC4100	300 m <sup>3</sup> /h	DN 100	flange PN6	024A-024B-034A	29.34	IP40

## OPERATION

The hot water which comes from the boiler is mixed with a part of water a bit colder which comes from the return pipeline of the system, the shaped rotor provides the dosing of the two streams in order that the temperature in the delivery pipeline to reach the value required by the control unit.

# FEATURES

- Cast iron valve body.
- Bronze butterfly shutter.
- 18/20 stainless steel shaft.
- Inner seal with viton O-rings  $75 \div 280^{\circ}\text{C}$ .
- Lever for manual control.
- Operating pressure 6 Kg/cm<sup>2</sup>.
- Maximum operating temperature -120°C.

# INSTALLATION

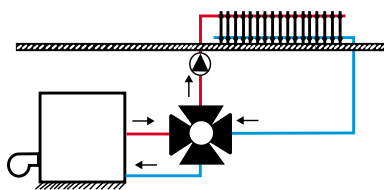
Easy hydraulic connection.

Valve motorization is fast and easy executed with:

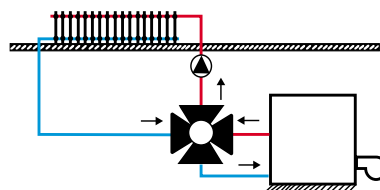
- O24 type servocontrol and T01D coupling group;
- O34A type servocontrol and T04E coupling group.

It is always possible to disconnect the servocontrol in order to operate the valve manually using T05A kit.

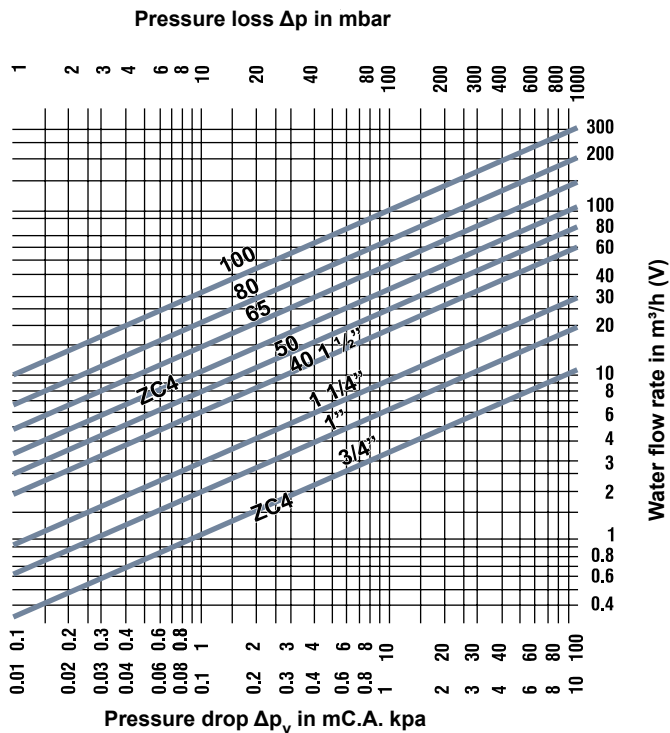
LEFT BOILER



RIGHT BOILER



# PARAMETERS DETERMINATION



1 m<sup>3</sup>/h = 0,278 kg/s water 20°C