



# INTELLICOMFORT CH140GSM2 WEEKLY PROGRAMMABLE THERMOSTAT WITH INTEGRATED GSM MODULE

- Weekly program
- To control the heating and cooling systems
- ON/OFF auxiliary control for electrical utility
- Possibility to remote control from smartphone/tablet through TEXT message or APP



Temperature adjustment range	2 ÷ 40 °C, increment 0.1°C
Room T reading/display range	- 50 ÷ 50 °C
Power supply	230V 50Hz
Contact rating	5(3)A 250 Vac
Differential	0.3 ÷ 5 K
Thermal gradient	4 K/h
Maximum room temperature	45°C

## INSTALLATION

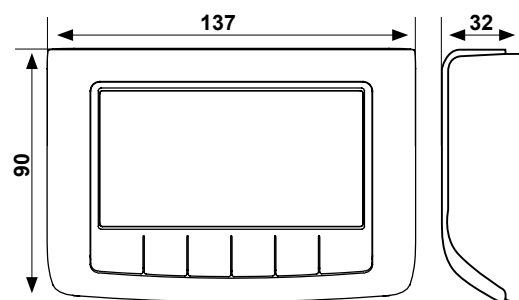
- Intellicomfort CH140GSM2 programmable thermostat has to be installed on the wall or in a 3 modules or round flush mounting box, at about 1.5 meters above the floor.

## HOMOLOGATION AND STANDARDS

- Complies with EN 60730-1 standards and following parts, R&TTE EN 301 489-1, EN 301 489-7, EN 301 511.
- ErP classification: ErP Class IV; 2% (Reg. EU 811/2013 - 813/2013)



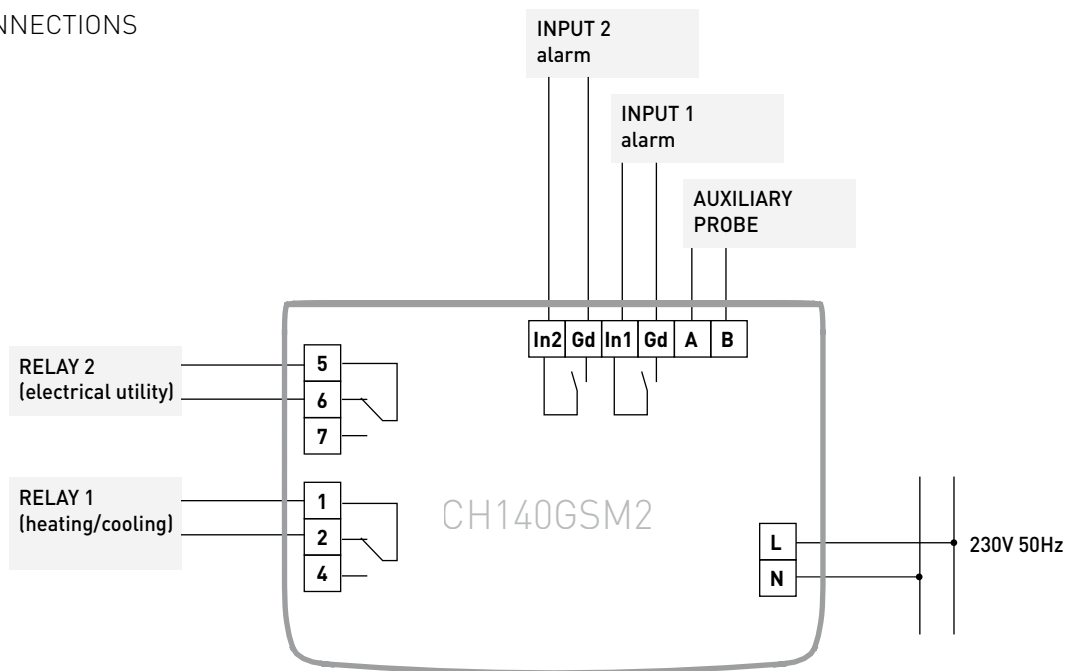
## DIMENSIONS mm



## ELECTRICAL FEATURES

Power supply	230V-50Hz
Maximum power consumption	10 W
Contact rating	5(3)A 250 Vac
Type of action	1.B.U (micro disconnection)
Outputs	<ul style="list-style-type: none"> <li>■ Relay 1 to boiler heating/cooling</li> <li>■ Relay 2 auxiliary</li> <li>■ 3 screw clamps (closed + open)</li> </ul>
Inputs	<ul style="list-style-type: none"> <li>■ 1 auxiliary probe - NTC 10K - I<sub>max</sub> 100m section 0.5 ÷ 1.5 mm<sup>2</sup>)</li> <li>■ 2 auxiliary relays - free contacts</li> </ul>
Internal battery	For programming data and clock / calendar
Software	Class A
Electrical insulation	Double insulation
Pulse voltage	4000V

### ■ ELECTRICAL CONNECTIONS



The programmed parameters will not be lost during blackout periods since all the settings are saved in a non-volatile memory. Even if the power supply is not available for long periods, the clock/calendar operation is guaranteed by an internal battery.

## FEATURES

Temperature adjustment range	2 ÷ 40 °C, increment 0.1°C
Room T reading/display range	- 50 ÷ + 50 °C
Differential	0.3 ÷ 5 K
Thermal gradient	4 K/h
Maximum room temperature	45°C
Managements	<ul style="list-style-type: none"> <li>■ Heating and cooling</li> <li>■ Electrical utility</li> <li>■ External probe</li> <li>■ Alarm management to exceed minimum (only on APP)</li> <li>■ Summer time / Standard time</li> <li>■ Remote change over</li> <li>■ Summer/winter</li> </ul>
Viewing of energy consumption	
Correction of the offset of the temperature read	
Storage temperature	-10°C ÷ +60°C
Protection degree	IP30
Pollution degree	2
SIM	Micro SIM card slot
Quad Band	EGSM 850/900/1800/1900 MHz
Output power	<ul style="list-style-type: none"> <li>■ Class 4 (2w) per 850/900 MHz</li> <li>■ Class 1 (1w) per 1800/1900 MHz</li> </ul>
Sensitiveness	<ul style="list-style-type: none"> <li>■ 107Dbm@850/900 MHz</li> <li>■ 106Dbm@1800/1900 MHz</li> </ul>
Display	Italian, English, French, Spanish, German, Russian
Screen lock	With password
Charge reserve, for sending a power failure message (BLACK-OUT)	

## OPERATION

- CH140GSM2 is a weekly programmable thermostat with integrated GSM module, with possibility to remote control from smartphone/ tablet with text message or with APP "Intelliclima+".
- Equipped with a temperature sensor with two output relays on board, it simultaneously manages heating and cooling systems.
- Second relay is able to be destined to an external use with ON / OFF operation, based on a daily schedule.
- On the blue backlit LCD display it is possible to check, through an intuitive graph, the energy consumption of the entire system.
- CH140GSM2 has 6 keys, which function depends on the situation and is described by the symbol that appears on the display
- Intellicomfort CH140GSM programmable thermostat allows different modes of use, called programs:
  - MAN Manual program
  - AUTO Weekly program
  - HOLIDAY Daily program
  - JOLLY Temporary program
  - OFF Switched off system or antifreeze program



1	GSM antenna
2	Day of the week
3	Activation state: heating or cooling
4	Celsius/Fahrenheit room temperature
5	Multifunctional touch icons
6	Multifunctional keys
7	Programs
8	Graphic portion: messages / temperature timing

### [ MAN ]

#### ■ MANUAL PROGRAM

The programmable thermostat adjust the room temperature using the temperature set in 24 hours.

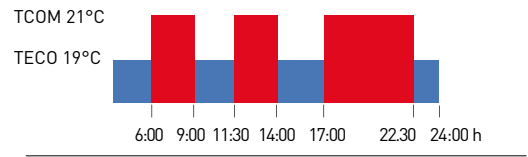


**[AUTO]**

■ AUTO - WEEKLY PROGRAM

CH140GSM2 programmable thermostat manages the set temperatures according to the time programs on the weekly profile. It is provided with preset winter programs and preset summer programs.

In the AUTO mode it is possible to set 2 temperature levels TCOM e TECO (comfort temperature and economy temperature).



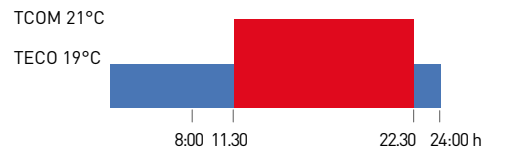
TCOM adjustable temp. from 2 to 40 °C  
 TECO adjustable temp. from 2 to 40 °C  
 Note: TCOM > TECO (winter)  
 TECO > TCOM (summer)

**[HOLIDAY]**

■ HOLIDAY - SPECIAL DAILY PROGRAM

If you stay at home on a public holiday, you can set an extra daily profile ("H"). This mode stops when it is selected another operating mode.

In the HOLIDAY mode it is possible to set 2 temperature levels TCOM e TECO (comfort temperature and economy temperature).



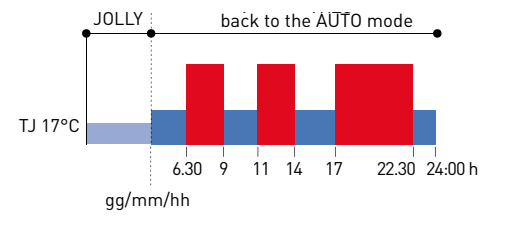
TCOM adjustable temp. from 2 to 40 °C  
 TECO adjustable temp. from 2 to 40 °C  
 Note: TCOM > TECO (winter)  
 TECO > TCOM (summer)

**[JOLLY]**

■ JOLLY - TEMPORARY PROGRAM

The weekly programmable thermostat manages the system using 1 set temperature over a variable period of time (sets the time and day to which the set temperature is to be kept\*). At the end of the set time, the programmable thermostat returns to the previously used operation mode.

This function can be excluded at any time by setting a different operation mode.



TJ adjustable temp. from 2°C to 40°C  
 \* 90 days maximum and 30 minutes resolution

■ OFF - SWITCHED OFF SYSTEM OR ANTIFREEZE PROGRAM

The selected system is switched off. During WINTER mode keeps the temperature antifreeze.



TA antifreeze adjustable temp from 0 to 7 °C

## SPECIAL FEATURES

The features can be set from the programmable thermostat menu.

- FREQUENT SETTING MENU
  - ◇ Day setting;
  - ◇ Summer/Winter;
  - ◇ Hour setting;
  - ◇ Graphic portion display
  - ◇ Relay 2 control;
  - ◇ Lock function with Password.
  
- OPERATING OF THE AUXILIARY RELAY
  - ◇ Backlight customizable in intensity;
  - ◇ Backlight customizable in duration
  - ◇ Summer time / Standard time;
  - ◇ External probe management;
  - ◇ Antifreeze temperature;
  - ◇ Auxiliary relay 2 management\*;
  - ◇ Alarm management;
  - ◇ Change over management;
  - ◇ Correction of the room temperature;
  - ◇ Differential management;
  - ◇ Celsius / Fahrenheit;
  - ◇ Languages: Italian, English, French, Spanish, German, Russian;
  - ◇ Default parameter new setting.
  
- \*AUXILIARY RELAY 2 MANAGEMENT
  - ◇ through SMS/APP;
  - ◇ SUMMER (air conditioner command)
  - ◇ PROGRAMMED (activation / deactivation through daily time profile with 30 minute resolution)
  - ◇ LOCAL (management ON/OFF relay 2).

## REMOTE PROGRAMMING THROUGH SMS

By using GSM function is possible to:

- Check the room temperature in real time;
- Program the room temperature;
- Check statistic data about system functioning
- Switch on or off an external device 230Vac, 500W (for example irrigation) using an internal relay;
- Set up to 3 phone numbers for:
  - ◇ Low temperature alarm if the ambient temperature drops below the set temperature;
  - ◇ Receive notification about SIM validity due date;
  - ◇ Receive notification about lack tension 230V (BLACKOUT)
  - ◇ Receive notification about tension come back (POWER ON)
  - ◇ Receive notification about changes of the two alarms contacts status (foe e.g. a boiler alarm, an antitheft alarm, a low temperature alarm, a boiler malfunction, an alarm for sewage tanks overflow etc)

Intelliconfort CH140GSM allows a remote system control and command the state (different mode of use, modify set-point etc).

Moreover, it sent spontaneously messages indicating SIM card due date, a black-out or when the low temperature threshold is exceeded (which value is set by the customer).

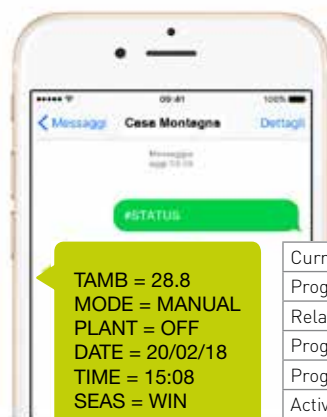
### FEEDBACK FUNCTIONALITY GSM

Connection with GSM network is detectable by three accessed bars in the antenna symbol. The antenna symbol flashes if isn't possible to register to GSM network (low network level, no SIM car inserted or invalid SIM card etc) .

When the registration is done, the symbol antenna flashes and shows a number of bars indicating the signal intensity.

### EXAMPLE OF INFORMATIONS FOR HEATING SYSTEM

◇ SENDING SMS: **#STATUS**



TAMB = 28.8  
 MODE = MANUAL  
 PLANT = OFF  
 DATE = 20/02/18  
 TIME = 15:08  
 SEAS = WIN  
 TCOMF = 20.0  
 TECO = 18.0  
 TA = 5.0  
 TMAN = 20.0  
 TJOL = 20.0  
 DJOL = 00/00/00  
 HJOL = 00:00

Current ambient temperature reading
Program set on the programmable thermostat
Relay 1 status (heating/cooling control)
Programmable thermostat date
Programmable thermostat time
Active season
Set comfort temperature
Set economy temperature
Set antifreeze temperature
Set manual temperature
Set jolly temperature
Day of duration of the Jolly program
Hours of duration of the Jolly program

## REMOTE PROGRAMMING THROUGH APP

With the Intelliclimate+ APP, from a smartphone or tablet, is possible to:

- Switch the heating/cooling system ON or OFF
- Check the state of system in real time;
- Choose ideal temperature at any time and until when it set;
- Optimise comfort and save energy;
- Share the programmable thermostat with multiple users;
- Receive push notifications of generic alarms and anomalies system.

- EXAMPLE OF INFORMATIONS FOR HEATING SYSTEM



The Intelliclimate+ APP is available for free on:





## APPLICATION EXAMPLES

### SECOND HOME REQUALIFICATION

- HEATING AND VENTILATION REMOTE CONTROL THROUGH APP

