

L03B--/L23EM1A INSTRUCTION FOR USE

Thank you for having chosen a Fantini Cosmi product. Before installing the instrument, please read these instructions carefully to ensure maximum performance and safety.

DESCRIPTION



Fig.1 - Front panel

INDICATION

- OUT1 Channel 1 output
- OUT2 Channel 2 output
- L1 Channel 1 setpoint modification
- L2 Channel 2 setpoint modification
- Alarm
- Info / Enter button
- Modify Setpoint 1 / Decrease button
- Increase / Modify Setpoint 2 button
- Exit / Stand-by button

INSTALLATION

- The L03B-- controller, size 71x98x61 mm (WxHxD), is to be secured to a DIN rail in such a position as to ensure that no liquid infiltrates causing serious damage and compromising safety;
- Make sure that electrical connections comply with the paragraph "wiring diagrams". To reduce the effects of electromagnetic disturbance, keep the sensor and signal cables well separate from the power wires.
- Place the probe T1 inside the room in a point that truly represents the temperature of the stored product.

OPERATION

DISPLAY
During normal operation, the display shows either the temperature measured or one of the following indications:

OFF	Controller in stand-by	EUN	Controller in autotuning
or	Probe T1 overrange or failure	E1	In tuning: timeout1 error
hi	Room high temperature alarm	E2	In tuning: timeout2 error
Lo	Room low temperature alarm	E3	In tuning: overrange error

MENU INFO

The information available in this menu is:

Eh	Maximum temperature recorded	LOC	Keypad state lock
ELo	Minimum temperature recorded		

Access to menu and information displayed.

- Press and immediately release button [I].
- With button [V] or [A] select the data to be displayed.
- Press button [I] to display value.
- To exit from the menu, press button [O] or wait for 10 seconds.
- Reset of THI, TLO recordings**
 - With button [V] or [A] select the data to be reset.
 - Display the value with button [I].
 - While keeping button [I] pressed, use button [O].

CHANNEL 1 SETPOINT (display and modification of desired temperature value)

- Press and release button [L1]: the LED L1 blinks, the display shows 1SP for 1 second and then the setpoint associated value.
- Press buttons [V] or [A] to set the desired value (adjustment is within the minimum SPL and maximum SPH limit).
- To store the new value press button [I] or wait for 10 seconds.
- To go back to normal mode without saving the new value, press [O].

CHANNEL 2 SETPOINT

- With the auxiliary output set as thermostat control (OAU=THR), it's possible to modify setpoint 2 during the normal operation of the controller.
- Press and release button [L2]: the LED L2 blinks, the display shows 2SP for 1 second if setpoint 2 is an absolute threshold (2SM=ABS), alternatively the display shows 2DF, if setpoint 2 is a threshold relative to setpoint 1 (2SM=REL), then the value associated to the parameter appears.
- Press buttons [V] or [A] to set the desired value.
- To store the new value press button [I] or wait for 10 seconds.
- To go back to normal mode without saving the new value, press [O].

STAND-BY

Button [O], when pressed for 3 seconds, allows the controller to be put on a standby or output control to be resumed (with SB=YES only).

KEYPAD LOCK

The keypad lock avoids undesired, potentially dangerous operations, which might be attempted when the controllers is operating in a public place. In the INFO menu, set parameter LOC=YES to inhibit all functions of the buttons. To resume normal operation of keypad, adjust setting so that LOC=NO.

CONTROLLER AUTOTUNING IN PID MODE

Before starting

In the setup mode (see configuration parameters): set 1CM=PID; make sure that 1CH matches the desired operation mode (1CH=REF for refrigerating control, 1CH=HEA for heating control); then adjust setpoint 1SP at the desired value.

Start autotuning

During normal operation, keep buttons [I] + [V] pressed for 3 seconds. 1CT blinks on the display. With [I] + [V] or [I] + [A] set the cycle time in order to define the dynamic of the process to be controlled. To abort the autotuning function, press [O]; to start autotuning press [V] + [A] or wait for 30 seconds.

During autotuning

During the entire autotuning phase, the display alternates TUN with the actual temperature measured. In case of power failure, when power is resumed, after the initial autotest phase, the controller resumes the autotuning function. To abort the autotuning, without modifying the previous control parameters, keep button [O] pressed for 3 seconds. After the autotuning has taken place successfully, the controller updates the control parameters and starts to control.

Errors

- If the autotuning function failed, the display shows an error code:
 - E1 timeout1 error: the controller could not bring the temperature within the proportional band. Increase 1SP in case of heating control, vice versa, decrease 1SP in case of refrigerating control and re-start the process.
 - E2 timeout2 error: the autotuning has not ended within the maximum time allowed (1000 cycle times). Re-start the autotuning process and set a longer cycle time 1CT.
 - E3 temperature overrange: check that the error was not caused by a probe malfunction, then decrease 1SP in case of heating control, vice versa increase 1SP in case of refrigerating control and then re-start the process.
- To eliminate the error indication and return to the normal mode, press button [O].

Control improvement

- To reduce overshoot, reduce the integral action reset 1AR
- To increase the response speed of the system, reduce the proportional band 1PB. Caution: doing this makes the system less stable.
- To reduce swings in steady-state temperature, increase the integral action time 1IT; system stability is thus increased, although its response speed is decreased.
- To increase the speed of response to the variations in temperature, increase the derivative action time 1DT. Caution: a high value makes the system sensitive to small variations and it may be a source of instability.

RECALIBRATION

- Have a precision reference thermometer or a calibrator to hand. Ensure that OS1=0 and SIM=0.
- Switch the controller off then on again.
- During the auto-test phase, press buttons [I] + [A] and keep them pressed till the controller shows 0AD.
- With buttons [V] and [A] select 0AD or SAD: 0AD allows a calibration of 0, inserting a constant correction over the whole scale of measurement. SAD allows a calibration of the top part of the measurement scale with a proportional correction between the calibration point and 0.
- Press [I] to display the value and then use [I] + [A] or [I] + [V] to make the read value coincide with the value measured by the reference instrument.
- Exit from calibration by pressing button [O].

CONFIGURATION PARAMETERS

- To get access to the parameter configuration menu, press button [O] + [I] for 5 seconds.
- With button [V] or [A] select the parameter to be modified.
- Press button [I] to display the value.
- By keeping button [I] pressed, use button [V] or [A] to set the desired value.
- When button [I] is released, the newly programmed value is stored and the following parameter is displayed.
- To exit from the setup, press button [O] or wait for 30 seconds.

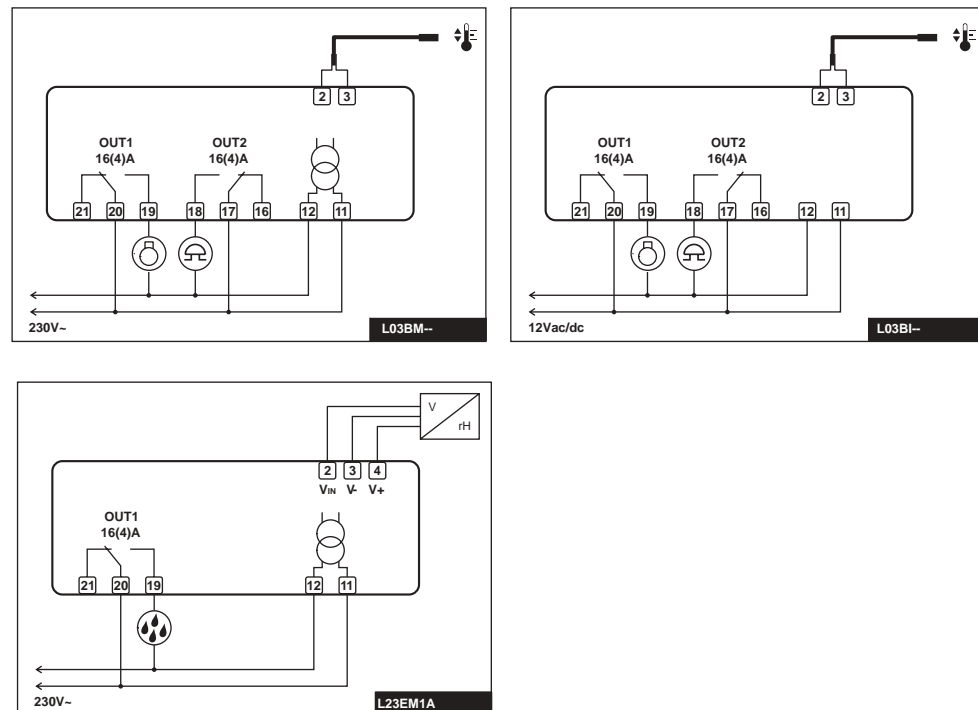
PAR	RANGE	DESCRIPTION
SCL	1°C; 2°C; °F	Readout scale (see table of input specifications) <i>Caution: upon changing the SCL value, it is then absolutely necessary to reconfigure the parameters relevant to the absolute and relative temperatures (SPL, SPH, 1SP, 1HY etc...)</i>
SPL	-50°...SPH	Minimum limit for 1SP setting
SPH	SPL...150°	Maximum limit for 1SP setting.
1SP	SPL... SPH	Setpoint (value to be maintained in the room).
1CM	HY; PID	Control mode. With 1CM=HY you select control with hysteresis: parameters 1HY, 1T0 and 1T1 are used. With 1CM=PID you select a Proportional-Integral-Derivative control mode: parameters 1PB, 1IT, 1DT, 1AR, 1CT will be used
1CH	REF; HEA	Refrigerating (REF) or Heating (HEA) control mode.
1CM=HY	1HY	0...19.9° OFF/ON thermostat differential. With 1HY=0 the output is always off.
	1T0	0...30min Minimum off time. After output 1 has been turned off, it remains inactive for 1T0 minutes regardless of the temperature value measured.
	1T1	0...30min Minimum on time. (the following parameter will be 1PF). After output 1 has been turned on, it remains active for 1T1 minutes regardless of the temperature value measured.
1CM=PID	1PB	0...19.9° Proportional bandwidth. Temperature control takes place by changing the ON time of the output: the closer the temperature to the setpoint, the less time of activation. A small proportional band increases the promptness of response of the system to temperature variations, but tends to make it less stable. A purely proportional control stabilises the temperature within the proportional band but does not cancel the deviation from setpoint. With 1PB=0 the output is always off.
	1IT	0...999s Integral action time. The steady-state error is cancelled by inserting an integral action. The integral action time, determines the speed with which the steady-state temperature is achieved, but a high speed (1IT low) may be the cause of overshoot and instability in the response. With 1IT=0 the integral control is disabled.
	1DT	0...999s Derivative action time. Response overshoot may be reduced by inserting a derivative Action. A high derivative action (1DT high) makes the system very sensitive to small temperature variations and causes instability. With 1DT=0 the derivative control is disabled.
	1AR	0...100% Reset of integral action time referred to 1PB Decreasing the parameter 1AR reduces the integral control action zone, and consequently the overshoot (see figure on paragraph 1IT).
	1CT	1...255s Cycle time. It's the period in which the output ON time changes. The quicker the system to be controlled reacts to temperature variations, the smaller the cycle time must be, in order to obtain higher temperature stability and less sensitivity to load variations.
1PF	ON/OFF	Output state in case of probe failure.
OAU	NON; THR; AL0; AL1	AUX output operation. NON : output disabled (always off). (the next parameter will be ATM) THR: output programmed for second thermostat control (the next parameter will be 2SM). AL0: contacts open when an alarm condition occurs (the next parameter will be ATM). AL1: contacts make when an alarm condition occurs (the next parameter will be ATM).
OAU=THR	2SM	ABS; REL Setpoint 2 mode. Channel 2 setpoint may be absolute (2SM=ABS), or a differential relative to setpoint 1 (2SM=REL)
	2SP	SPL...SPH Auxiliary output switchover temperature (the next parameter will be 2CH)
	2DF	-19.9...19.9° Temperature differential relative to 1SP. The auxiliary output setpoint is equal to 1SP+2DF

OAU=THR	2CH	REF; HEA	Refrigerating control (REF) or heating control mode (HEA) for the auxiliary output.
	2HY	0...19.9°	Differential of thermostat 2. With 2HY=0 the auxiliary output always remains off.
	2T0	0...30min	Minimum off time. After output 2 has been turned off, it remains inactive for 2T0 minutes regardless of the temperature value measured.
	2T1	0...30min	Minimum on time. After output 2 has been turned on, it remains active for 2T1 minutes regardless of the temperature value measured.
	2PF	ON/OFF	Auxiliary output state in case of probe failure.
ATM	NON; ABS; REL	Alarm threshold management. NON: all temperature alarms are inhibited (the following parameter will be SB). ABS: the values programmed in ALA and AHA represent the real alarm thresholds. REL: the values programmed in ALR and AHR are alarm differentials referred to 1SP and 1SP+1HY. 	
	ALA	-50°...AHA	Low temperature alarm threshold.
ATM=ABS	AHA	ALA...150°	High temperature alarm threshold.
	ALR	-12.0...0°	Low temperature alarm differential. With ALR=0 the low temperature alarm is excluded
ATM=REL	AHR	0...12.0°	High temperature alarm differential. With AHR=0 the high temperature alarm is excluded
	ATD	0...120min	Delay before alarm temperature warning.
SB	NO/YES	Stand-by button enabling.	
INP	0mA/4mA, T1/T2 ST1/SN4	Sensor input selection (see table of input specifications). <i>Warning: "0mA/4mA", "T1" and "T2" are not available</i>	
RLO	-19.9...RHI	Minimum range value RLO takes the minimum value measured by the transmitter (i.e. the value matching 0V, 0/4mA).	
RHI	RLO...99.9	Maximum range value RHI takes the maximum value measured by the transmitter (i.e. the value matching 1V, 20mA)	
OS1	-12.5...12.5°	Probe T1 offset.	
TLD	1...30min	Delay for minimum temperature (TLO) and maximum temperature (THI) logging.	
SIM	0...100	Display slowdown	
ADR	1...255	address for PC communication (not available)	

INPUT SPECIFICATIONS

MODEL	INPUT	RANGE [MEASUREMENT ACCURACY]		
		SCL=1°C	SCL=2°C	SCL=°F
L03B--	INP=ST1	PTC 1000 Ω (LS120) -40/-19.9 + 99.9/105°C [<±0.3°C(-40+130°), ±1°C]	-40 + 105°C [<±0.3°C (-40+130°), ±1°C]	-40 + 221°F [<±0.6°F (-40+221°), ±2°F]
	INP=SN4	NTC 10K Ω (LS130) -40/-19.9 + 99.9/105°C [<±0.3°C(-40+100°), ±1°C]	-40 + 105°C [<±0.3°C (-40+100°), ±1°C]	-40 + 221°F [<±0.6°F (-40+210°), ±2°F]
L23EM1A	0+1V (LS160A)	RLO+RHI [< ± 3mV]		-----

WIRING DIAGRAMS



Via Dell'Osio 6
20090 Calepio di Settala MI ITALIA
Phone no. +39 02 95682.222
Fax no. +39 02 95307006
Web: www.fantini-cosmi.it
e-mail: export@fantini-cosmi.it

TECHNICAL DATA

Power supply
L03BI- 12Vac/dc ±10%, 3W
L03BM- 230Vac±10%, 50/60Hz, 3W

Relay outputs (L03B--)
OUT1 16(4)A 240Vac
OUT2 16(4)A 240Vac

Inputs
see table of input specifications

Measurement range
see table of input specifications

Measurement accuracy
see table of input specifications

Operating conditions
-10 ... +50°C; 15%...80% r.H.

CE (Reference Norms)
EN60730-1; EN60730-2-9;
EN55022 (Class B); EN50082-1

Front protection
IP40

