



ASPIRLIGHT HV

INSTALLATION, USE AND MAINTENANCE MANUAL

1. GENERAL

1.1 INTRODUCTION

This manual was prepared with the aim of making the installation and management of your system as simple as possible.

By reading and applying the suggestions of this manual, you can achieve the best performance of the purchased product.

We would like to thank you for choosing to purchase one of our products.

Read this file carefully before performing any operation on the unit.

The unit must not be installed, nor must any operation be performed on it, without firstly reading and understanding the entirety of this manual. In particular it is necessary to adopt all of the precautions listed in the manual.

The documentation provided with the unit must be delivered to the system manager for safe keeping (at least 10 years) for future assistance, maintenance and repairs.

Unit installation must take into account the strictly technical needs for good operation, as well as any local legislation in force and specific requirements.

Make sure that when the unit is delivered there are no evident signs of damage caused by transport. If there is, state this on the delivery note.

This manual reflects the state of the technical standards at the time of sale and cannot be considered inadequate if updated at a later date based on new experiences. The Manufacturer reserves the right to update production and the manuals without being required to update previous ones, except in exceptional cases.

Contact the Manufacturer's Sales Office to receive further information or updates on/to the technical documentation and for any suggestions for improvement to this manual. All suggestions shall be strictly vetted.

1.2 FUNDAMENTAL SAFETY RULES



Remember that the use of products that use electrical energy and water requires certain fundamental safety rules to be followed:

- Unable and unassisted persons are forbidden from using the device
- IT IS forbidden to touch the device in bare feet and with wet or damp parts of the body
- Any cleaning activity is forbidden without firstly disconnecting the device from the electrical power mains by placing the system's main switch on 'off'
- It is forbidden to modify the safety or regulation devices without the authorisation and indications of the device manufacturer
- It is forbidden to pull, detach, twist the electrical cables coming out of the device, even if it is disconnected from the electrical power mains.

- It is forbidden to insert objects and substances through the air intake and supply grids.
- It is forbidden to open the access doors to the inside of the device, without firstly placing the system's main switch on 'off'.
- It is forbidden to release and leave packaging material within the reach of children as it is a potential source of danger.
- Comply with the safety distances between the machine and other devices or structures to guarantee enough access space to the unit for maintenance and assistance operations as stated herein.
- The unit's Power supply must be provided with electrical cables duly sized for the power of the unit. The voltage and frequency values must match those stated for the respective machines; all machines must be earthed according to the regulations in force in the various countries.

1.3 SYMBOLS

The symbols used in the following file quickly provide information necessary for the correct use of the unit.
Safety symbols



ATTENTION

Authorised personnel only. This means that the stated operations are important to safe machine operation



DANGER

Risk of electric shock. This means that failure to comply with the warnings poses the risk of electric shock.



DANGER

This means that failure to comply with the warnings poses the risk of injury to the exposed persons.



WARNING

This means that failure to comply with the warnings poses the risk of damage to the unit or system.



DANGER

This means that there are moving parts and poses the risk of harm to exposed persons

1.4 WARNINGS



The unit must be installed by qualified and authorised personnel according to the rules in force in the various countries.

If installation is not carried out, this could lead to a situation of danger



Avoid installing the unit in very damp rooms or where there are large sources of heat.



On the electric side, to prevent any risk of electrocution, it is essential to disconnect the main switch before setting up the electrical connections and performing any maintenance operation.



If there are any water leaks from inside the unit, place the system's main switch on 'Off', close the water valves and contact the technical service



Always use a dedicated power supply circuit; never use a power supply shared with other devices.



Always install an earth leakage circuit-breaker; failure to install this device could cause electric shock.



For the connection, use a sufficiently long cable to cover the entire distance without any connection; do not use extensions and do not apply other loads on the power supply, rather, always use a dedicated power supply circuit.



When the electrical cables are connected, make sure that the cables are arranged so that they do not press excessively on covers or electrical panels; any incomplete connection of the covers may cause overheating of the terminals.



Make sure that the earthing connection is set up; do not earth the device on distribution pipes.

Momentary high intensity overcurrents may damage the unit



Installations made outside of the warnings set forth herein or use outside of the operating limits will instantly void the warranty.



Make sure that commissioning is carried out by personnel authorised by the company (see commissioning request form)

1.5 CONFORMITY

The CE marking (applied on each machine) certifies compliance with the following Community standards:

- Low Voltage Directive 2014/35/EC
- Electromagnetic Compatibility Directive 2014/30/EC
- Ecodesign 2009/125/EC

1.6 RANGE

Code	Maximum flow rate
AP20050	Up to 140m ³ /h
AP20052	Up to 200m ³ /h

1.7 IDENTIFICATION



-The unit can be identified by the rating plate attached to the front bottom panel.

-On the packaging there is another identification rating plate with the unit model and the shipping references.

The rating plate on the packaging is not valid for tracking the product over the years after sale.

The removal, deterioration and illegibility of the rating plate attached to the unit makes machine identification and ordering spare parts very difficult, and therefore all future maintenance.

1.1.8 CONSTRUCTION FEATURES

FRAME

Self-supporting sheet metal frame
Galvanised sheet metal panels, with external coating,
internal high density Eps insulation;
Front decorative panel with composite Alucobond

HEAT EXCHANGER

Polypropylene high efficiency cross flow counter current exchanger.
Low freezing temperatures
Very high exchange efficiency.

FANS

Brushless fans with electronic motor and constant flow rate control;
Very high efficiency and low noise levels.

FILTERS

ePM1 70/80% filters with low head loss.
Easily removable in either horizontal or vertical positioning.

FREE COOLING

Automatic free cooling through temperature probes

ELECTRICAL PANEL

Electric panel complete with control board for 4 fan speeds, antifreeze, automatic bypass, temperature probes, post-heat coils and automatic dirty filter signal.
Control panel mandatory for unit operation with capacitive touch for installation on 502-503 box or wall;
Wifi Chip for management through remote APP;

EFFICIENCY

Thanks to its construction features and components, AP20050 / AP20052 is able to reach recovery efficiency of more than 90%.

1.9 DESCRIPTION OF OPERATION

The unit is a fan system with heat recovery, with the following characteristics and special features:

- it promotes healthy ventilation in homes, allowing correct air renewal of the rooms and extracting excess humidity and unpleasant odours;
- it provides considerable energy savings for heating thanks to the efficiency of the heat recovery unit of more than 90%;
- The ePM1 class filters, with low head loss, guarantee outdoor air filtering which is crucial for people with allergies;
- electronic speed control motors guarantee low electrical energy consumption;
- thermal and acoustic insulation;
- easy access for inspection and maintenance through panel with closures;
- antifreeze protection;
- control unit with display;
- set-up for easy connection to the mains and remote control;

1.10 STATE OF SUPPLY

The supply includes:

- recovery unit complete with fans installed inside the unit
- polypropylene counter current exchanger pre-inserted inside the unit;
- 2 ePm1 80% class filters pre-inserted inside the unit;
- Electrical box with set-up for connecting terminal board;
- 2 brackets for ceiling / wall installation
- labels/stickers (safety pictograms, air connection identification, CE marking...) already on the unit.
- Installation, use and maintenance manual

1.11 REQUIREMENTS FOR START-UP

Before start-up make sure there are no foreign bodies inside the unit.

Check the fastenings of the closing panels and inspection doors.

If there are no ducts installed on one of the 4 aeraulic intakes, install suitable protective mesh.

Check the electrical power supply and the earthing of the unit.

1.12 DISASSEMBLY AND DISPOSAL

Do not take down or dispose of the product on your own. The product must be disassembled, demolished, disposed of by authorised personnel in compliance with local regulations.



2. INSTALLATION

2.1 INSTALLATION CONDITIONS



The unit must be installed based on national and local regulations governing the use of electrical devices and based on the following indications:

- install the unit inside residential buildings with room temperature between 0°C and 45°C;
- avoid areas near sources of heat, steam, inflammable and/or explosive gases and particularly dusty areas;
- install the unit in a place that is not subject to frost (the condensation water must be discharged not frozen, at a certain slope, using a trap);
- do not install the unit in zones with a high relative humidity rate (such as bathroom or toilet) to avoid condensation on the external surface;
- choose a place of installation where there is enough room around the unit for the connections of the air ducts and to perform maintenance activities;
- the consistency of the ceiling/wall/floor where the unit will be installed must be suitable for the weight of the unit and not cause vibrations.

The room chosen for installation must have:

- air duct connections;
- 230V single-phase electrical connection
- connection for the condensation discharge.

The unit is an integral part of a balanced fan system that extracts contaminated air from the kitchen, bathroom or any other rooms and introduces the same volume of fresh air into the living and bed rooms. The gaps under the doors ensure good air flow circulation inside the home: make sure these gaps are never obstructed, for example with draught blockers or rugs, otherwise the system will not work optimally.

When the system is running at the same time as a natural draught boiler (for example an open chimney) this may cause a vacuum in the room, which may cause exhaust gases to flow back into the room.



2.2 UNIT POSITIONING

CEILING INSTALLATION

To mount the unit on the ceiling, it is necessary to:

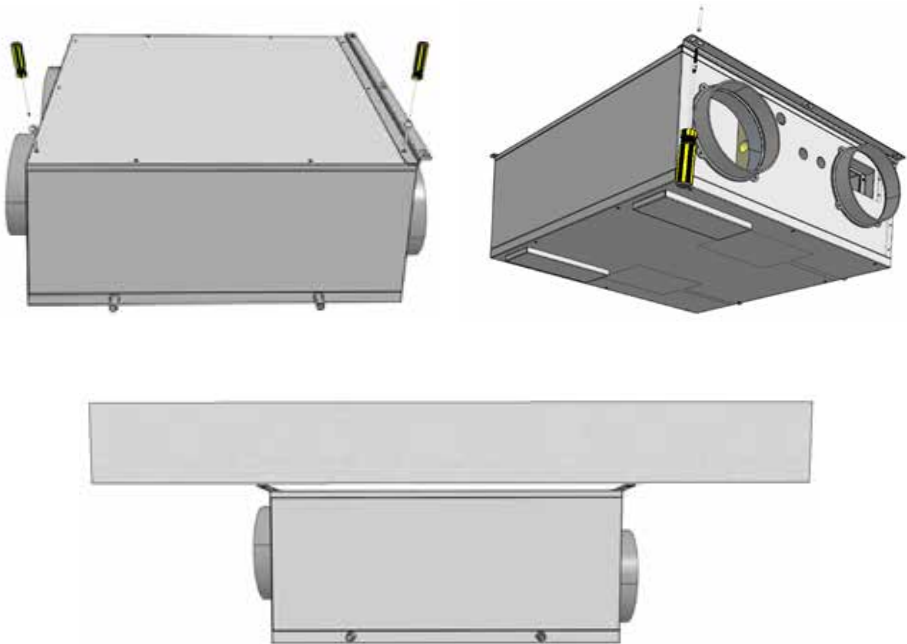
Position the 2 mounting brackets on the perimeter sides of the unit where the air inlets are;

Remove the 3 screws from the fitting side panel and place the bracket as shown here in the figure; put the screws back in to secure the bracket;

Anchor the unit to the ceiling, by the brackets, using suitable anchoring systems (plugs, threaded bars, chains...) and use a level to make sure it is level.

Provide enough space to perform maintenance activities: it must be possible to open the cover of the unit (from below).

Do not install the unit with the sides directly touching the walls to avoid possible noise from contact, insert rubber or neoprene strips in that case.



WALL-MOUNTING

To mount the unit on the wall, it is necessary to:

Position one of the two supplied brackets on the back of the unit, positioning it as shown here in the figure;

Remove the 3 screws from the top fitting side rear panel and place the bracket as shown here in the figure; Put the screws back in to secure the bracket;

Secure the second supplied bracket to the wall using suitable anchoring systems (plugs, threaded bars, ...) and use a level to make sure it is level.

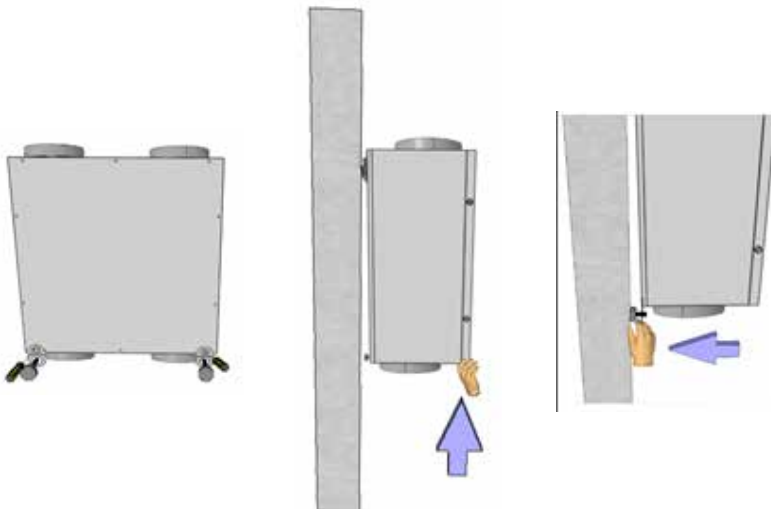
Take out the screws from the two bottom corners of the rear panel and install the two brackets with adjustable feet; Put the bracket clamping screws back in;

Position the unit, using an upwards movement to couple the two brackets, the one on the wall with the one installed on the back of the unit;

Now adjust the bottom feet, to place the unit on the same level as the wall or with a slight slope towards the wall (1-2%) to facilitate vertical discharging;

Provide enough space to perform maintenance activities: it must be possible to open the front cover of the unit;

Do not install the unit with the sides directly touching the walls to avoid possible noise from contact, insert rubber or neoprene strips in that case.





2.3 CONDENSATE DISCHARGE CONNECTION

Because of the heat recovery system (the exhaust air is cooled by the air supplied into the heat exchanger), the humidity contained in the internal air condenses inside the unit.

For correct operation of the heat recovery unit, it is necessary to connect one condensation discharge to the home hydraulic system (discharge). Also, in order for the condensation water to correctly flow out and avoid air from being sucked in, the condensation discharge must always feature a special trap installed by the installer;

There are 3 condensation discharges on the machine:

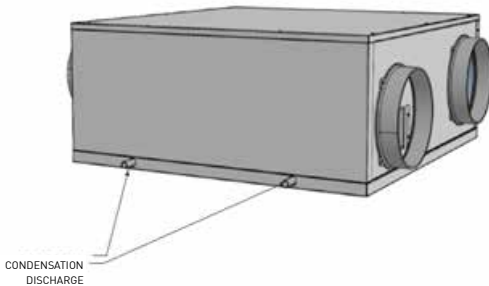
2 are for ceiling-mounting, 1 is for wall-mounting;

Only 1 of the 3 discharges will be used, based on ceiling or wall mounting and based on where the air exhaust is positioned;

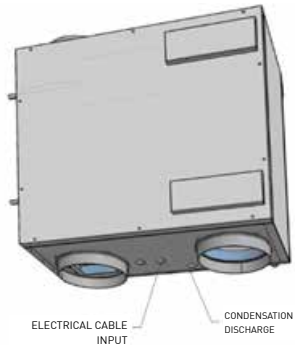
For installation of the condensation discharge, follow these rules:

- set up a slope of at least 2% to the discharge pipe;
- allow the possibility of disconnecting the discharge pipe for any maintenance (especially with ceiling installation);
- make sure that the discharge end of the pipe is at least below the level of the trap water;
- make sure that the trap is always full of water and at a sufficient height (at least 40-50mm)

Install the condensation discharge trap on the exhaust side of the unit to avoid unpleasant odours in the room air



Condensation Discharge horizontal installation



Condensation discharge Vertical installation



3 AERAULIC CONNECTIONS

3.1 AERAULIC ORIENTATIONS

The unit has 4 circular male connections of different \emptyset based on the size: for optimal function. To correctly connect the air ducts, refer to the following diagram and stickers on the unit.

Table of unit aeraulic connection diameters

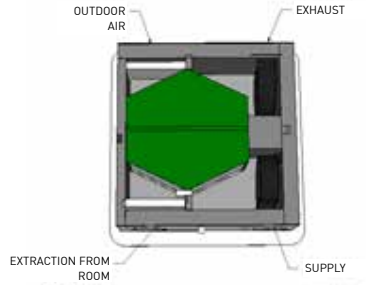
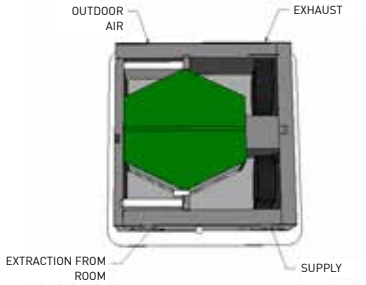
Code	AP20050
\emptyset mm	160

It is advisable to install at least 500mm of hose to avoid transmitting vibration and bothersome noises caused by the installation.

Depending on what system the unit will be installed in, it will be possible to duly direct the four aeraulic connections. Below are the possible configurations:

THE UNITS ARE SHOWN SEEN FROM ABOVE AND MUST BE ORDERED WITH THE DESIRED CONFIGURATION

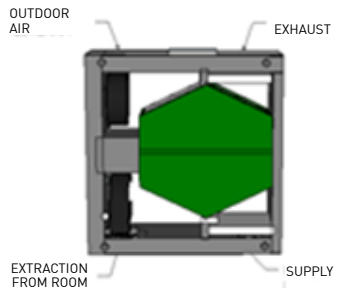
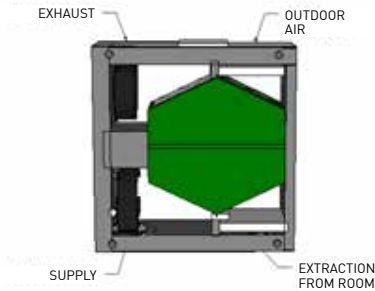
HORIZONTAL INSTALLATION H



DEFAULT
The units are shown as seen from above

CUSTOMISABLE VERSION

VERTICAL INSTALLATION



DEFAULT
The units are shown as seen from the front

CUSTOMISABLE VERSION

4 ELECTRICAL CONNECTIONS

4.1 GENERAL

- Before starting any operation to perform the electrical connection make sure that the unit is not electrically powered
- Perform the necessary electrical connections referring exclusively to the wiring diagram attached to this manual.
- Install a suitable cut-off and breaker device exclusively serving the unit.
- It is essential for the unit to be efficiently earthed. The manufacturer will not be held liable whatsoever for the failure to comply;
- Check that the electrical components chosen for installation (main switch, breakers, cable size and terminals) are suitable for the electrical power of the installed unit and that they take into account the start-up currents of the compressor in addition to the maximum achievable load. I

The relative data is stated on the attached wiring diagram and on the unit's rating plate

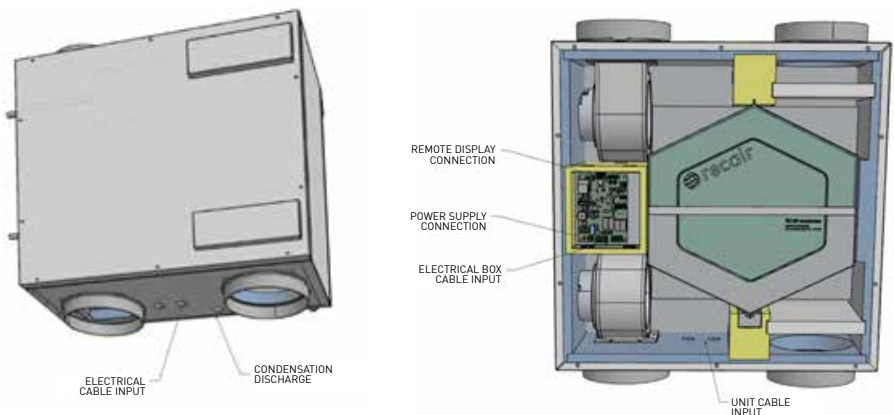
- It is forbidden to enter the unit with electrical cables except where specified in this file.

- Use duly-sized electrical cables and conductors that comply with the regulations in force in the various countries.
 - Strictly avoid feeding through the electrical cables so that they are directly touching pipes or parts inside the unit
 - After the first moments of operation, check the tightness of the power supply terminal screws
- Table for power supply line sizing

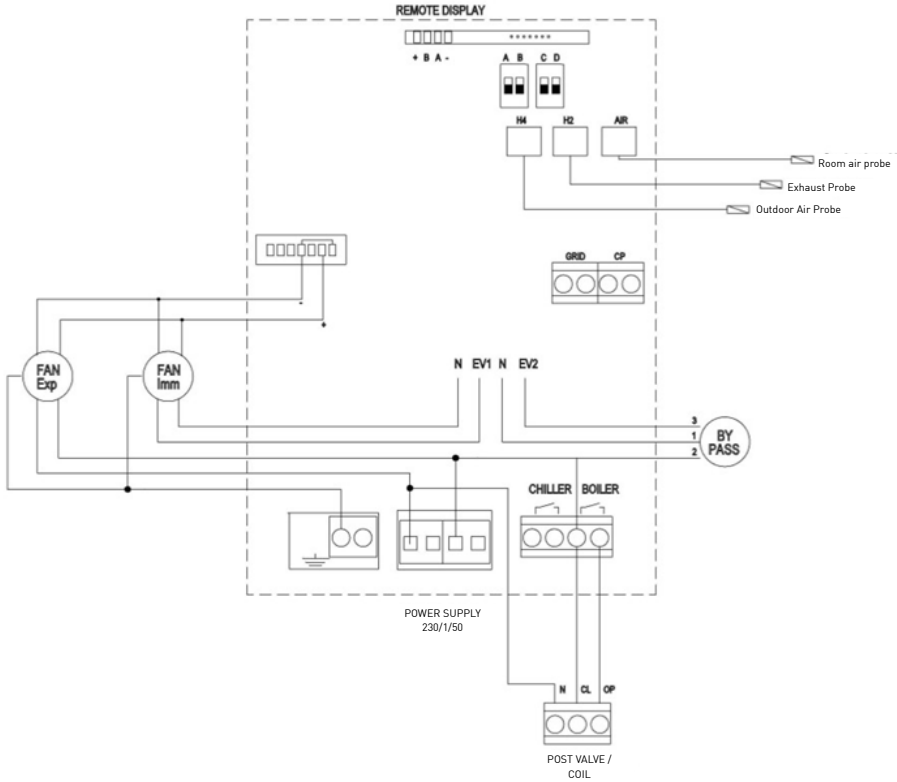
Code	AP20050	AP20052
Maximum absorbed current	0.8 A	1.2 A

FOR THE ELECTRICAL CONNECTION:

- Remove the screws from the front panel and take the front panel down;
- Use the two cable glands on the bottom side of the unit to enter with electrical cables inside the unit;
- Use electrical cables with double insulation in the passage through to the electrical box;
- Enter the electrical box with the cables and set up the electrical connections;
- Make sure that the cables do not touch the fan impellers;



4.2 UNIT WIRING DIAGRAMS



CONNECTIONS SET UP BY THE CUSTOMER

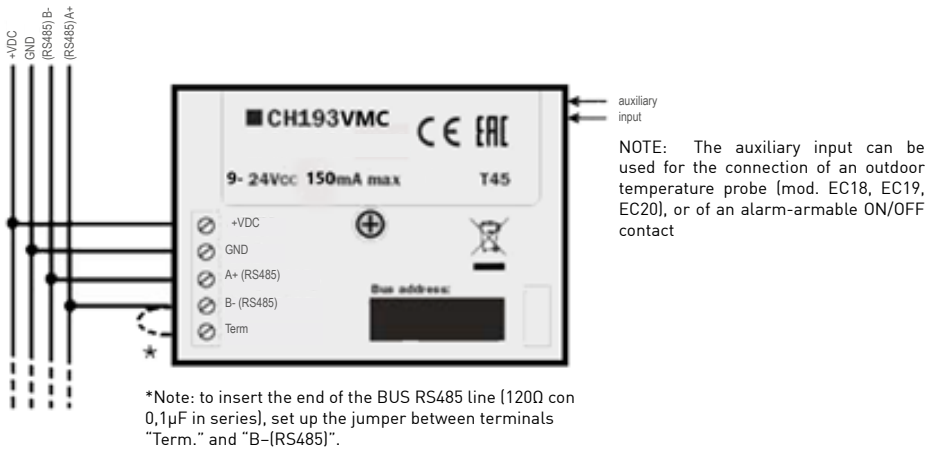
CHILLER	Chiller / Generator activation	Dry Contact (hot/cold request activation)
REMOTE DISPLAY	Remote control (4 wires)	

4.3 ELECTRICAL CONNECTIONS

CH193VMC REMOTE PANEL CONNECTION

The board uses a capacitive touch remote control to manage all of the functions of the unit and is set up for wall or outdoor 503 box installation;

For the connection use a 4-wire 0.75/1mm Shielded/braided cable;



GENERATOR / POST COIL CONNECTION

The unit controls a generator or a post coil, through the dry contact on the terminal board;
Closed contact with active request;



5 EXTERNAL COIL INSTALLATION

5.1.1 ELECTRIC COILS

The unit can feature an electric coil that can be installed as described below.

The coil has an internal thermostat that can also be connected to an external thermostat. For details of the electrical connections, follow the instructions provided in the coil manual

The CH193VMC remote panel directly controls the electric coil through the Chiller contact, on the board;
Deactivate or raise the setting in summer to prevent the coil from starting up in summer mode;



Coil with pre-heat function

The Coil defrosts the unit and provides an antifreeze protection function.

Installation:

install the heater on the "renewal air" duct;

connect the heater to the electrical mains;

set the temperature on the internal thermostat to 2°C;

The coil, in any case, needs to be installed with the cover upwards to prevent the safety devices from malfunctioning.

Coil with post-heat function

In winter, the purpose of the coil is to heat the air supplied into the home, to the requested comfort temperature.

Installation:

install the heater on the "supply" duct;

connect the heater to the electrical mains;

set the temperature on the internal thermostat to the required temperature (e.g. 18 °C);

The coil, in any case, needs to be installed with the cover upwards to prevent the safety devices from malfunctioning.

6 MAINTENANCE

To always guarantee correct and optimal unit operation, it is necessary to periodically perform all of the maintenance activities.

6.1 FILTER CLEANING AND REPLACEMENT

To replace the filters, or periodically clean them, do the following:

cut off the power to the unit;

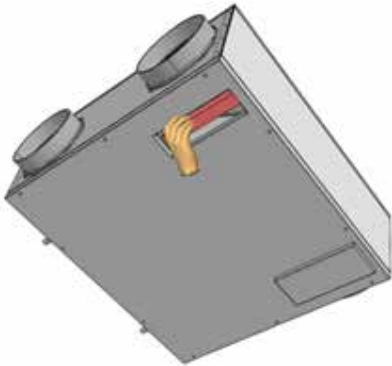
open the covers of the filters by the relative knobs;

take out the dirty filters;

gently insert the new ones;

close the cover back up again with the relative knobs;

If the conditions of the filters allow it, it is possible to proceed with cleaning them using a vacuum cleaner or low pressure compressor.



6.2 HEAT EXCHANGER CLEANING

It is advisable to check the status of the heat exchanger every time the filters are cleaned/changed, and clean it if necessary. This must only be done by qualified personnel (installer).

To clean the heat exchanger proceed as follows:

cut off the power supply to the unit

with ceiling installation, disconnect the condensation discharge pipe;

open the unit cover by removing the screws;

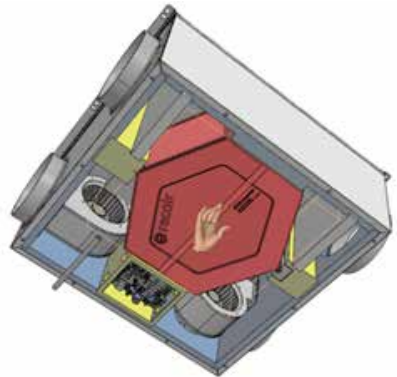
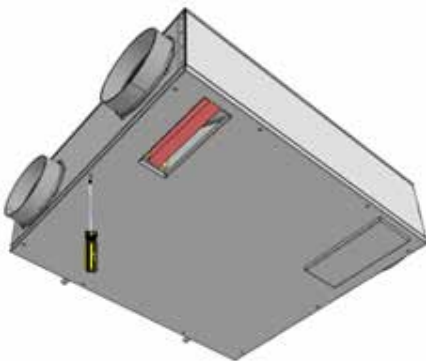
take out the heat exchanger with the aid of the green strap;

proceed with cleaning very carefully using a vacuum cleaner or low pressure compressor (to prevent dirt from getting into the heat exchanger, clean in the direction opposite the air flow);

put the exchanger back in place;

close the cover by locking it in position and putting in the screws;

Caution! Never touch the exchanger fins, handle the exchanger by holding it only by the closed sides.



6.3 GENERAL UNIT CLEANING

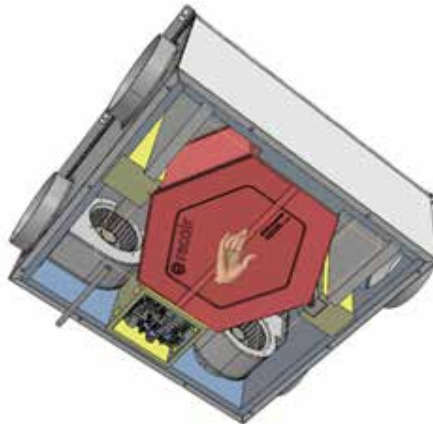
It is advisable to occasionally check and possibly clean the fans of the condensation discharge and the inside walls of the unit. These activities must only be carried out by qualified personnel (installer).

To perform these activities, do the following:

- cut off the power supply to the unit
- with ceiling installation, disconnect the condensation discharge pipe;
- open the unit cover by taking the screws off of it;
- check and possibly clean the fans, the condensation discharge and the walls;
- close the cover by retightening the screws on the unit

For cleaning you can use a vacuum cleaner, a cloth slightly dampened with water, a soft bristle brush or a low pressure compressor.

Caution! There are small metal clips on the blades to balance them, DO NOT remove them.



7 ALARMS

In case of any problems or failures, take note of any error code appearing on the remote control screen, take note of the model and the serial number of the unit you possess (data provided on the identification plate attached on the side of the unit) and contact the installer.

7.1 PROBLEMS WITHOUT ANY INDICATION OF THE ERROR ON THE DISPLAY

PROBLEM	CAUSE	SOLUTIONS
The fans are not on	- Power is not connected	- Check for power supply on the fan
	- The fan speed control device is not working	- Check the fan speed control device
	- Incorrect electrical connections	- Check that the fan is not
	- The fans are under thermal protection	overheated and under thermal protection
Insufficient air flow rate or useful pressure	- Clogged filters	- Clean the filters
	- Insufficient rotation speed	- Increase the rotation speed
	- Clogged pipes or exchanger	- Clean the pipes or exchanger
Insufficient exchanger efficiency	- Clogged exchanger fins	- Clean the exchanger surfaces
Excessive vibration and noise	- Incorrect unit installation	- Check the unit's brackets and fixings
	- Incorrect pipe installation	- Check pipe brackets and fixings
	- Imbalance of fan impeller	- Check the status of the fan impellers
Water leaking from the unit	- Clogged condensate discharge	- Clean the condensate discharge
	- Incorrectly installed trap	- Check whether the trap is installed correctly
Difficult start-up	- Power supply voltage too low	- Check that the power supply voltage is not below 10% of the rating plate's rated voltage
	- Insufficient motor torque	- Power the unit with the dampers partially closed so as to reduce the motor's starting torque. If it starts up correctly, replace the motor with a more powerful one.

7.2 TABLE OF ALARMS REPORTED ON THE CH193VMC DISPLAY

Below is the table of unit operating anomalies reported on the remote display.

CODE	DESCRIPTION	CAUSE	SOLUTION
VMC: AIR	Return Probe Alarm	Broken probe and failed reading	Check the connection of the probe or replace it
VMC: MOTOR	Fan alarm	Fan connector or no feedback signal	Check the connection of the board to the fan
VMC: H2	H2 Exhaust Probe alarm	Broken probe and failed reading	Check the connection of the probe or replace it
VMC: H4	H4 outdoor air probe alarm	Broken probe and failed reading	Check the connection of the probe or replace it
VMC: COM	Communication alarm	Check the green led on the board;	Check the status of the indicator led on the board
		Dirty filter alarm	
VMC: FILTER	Dirty filter alarm	Elapsed hours of operation for dirty filter (default = 0)	Check the state of the filter and enter the CH193VMC menu to reset the warning;
VMC: UVC	UVC led alarm	Elapsed hours of operation for UVC led	Check the state of the UVC led lamp, replace it and reset the warning of the remote panel



A series of 20 horizontal dotted lines for writing, spaced evenly down the page.



FANTINI COSMI S.p.A.

Via Dell'Osio, 6 - 20090 Calepio di Settala, Milan, Italy
Tel. +39 02 956821 | Fax +39 02 95307006
E-mail: info@aspira.it | supportotecnico@aspira.it

11/2020