

fan



C800 WIFI OT RQ

OPENTHERM® WI-FI SMART REMOTE CONTROL

- Remote control for boilers or heat generators with **OpenTherm®** communication protocol
- Suitable to manage **heating and sanitary hot water systems** for domestic use
- **WiFi connection**
- Batteries or 230Vac power supply
- V or VI Erp Class

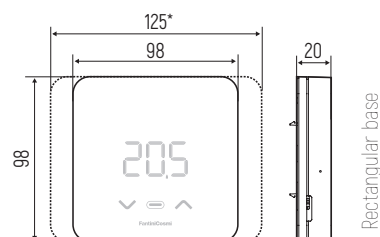
C800 WIFI OT RQ

OPENTHERM® WI-FI SMART REMOTE CONTROL



- "Universal" remote control with OpenTherm® communication protocol for a continuous modulation of the supplied power
- Suitable to manage heating and sanitary hot water systems for domestic use
- WiFi connection
- Batteries or 230Vac power supply
- V or VI Erp Class

DIMENSIONS [mm]



TECHNICAL FEATURES

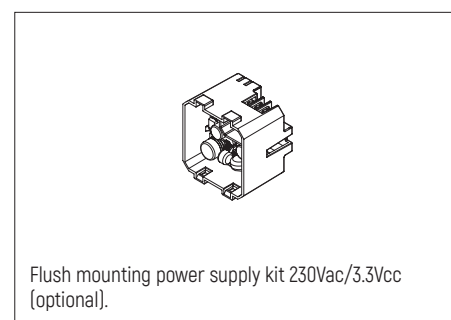
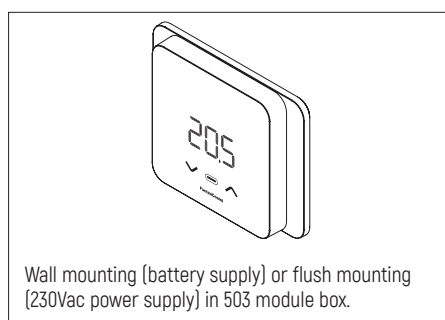
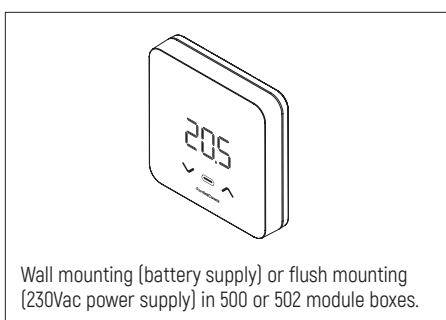
Temperature regulation range	2 ÷ 40 °C, increase 0,1°C
Power supply	2 batteries 1,5V AA or 230Vac @50Hz
Battery life	> 1 year
Output type	Unpolarized OpenTherm Bus
Adjustable differential	STD, 0,3 ÷ 5 K
Thermal gradient	4 K/h
RH% display	0 ÷ 99 %, increase 1%

HOMOLOGATIONS AND STANDARD

- Compliant with standards: EN 60730-1 and second parts;
- Directive 2014/53/EU (RED); 2014/30/EU (EMC); 2014/35/EU (LVD)
- ErP classification (Reg. EU 811/2013 - 813/2013): V; 3% or VI; 4% when combined with a boiler with external probe.



INSTALLATION



CODES

C800WIFIOTRQ	OpenTherm® remote control with wifi connection and smart functions (complete with square and rectangular base)
C800AL	Power supply kit 230Vac/3.3Vcc for C800 series



FANTINI COSMI SPA
Via dell'Osio 6 - 20049 Caleppio di Settala MI, Italy
Ph. +39 02 95682.229 | Fax +39 02 95307006 | export@fantinicosmi.it

www.fantinicosmi.com

