

# ECVAL..PA

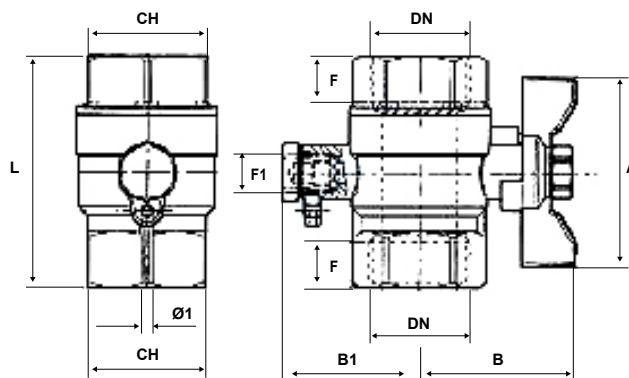
## Ball valve with no socket

Ball valve with no socket pre-equipped for the connection of the ECC15CA2 / ECC20CA2 temperature probes.



Dimensions (mm)

DN	15	20
in	1/2"	3/4"
L	50,5	61
B	37,5	41
B1	36,5	36,5
F	10,5	12
F1	M10 x 1	M10 x 1
Ø1	3	3
CH	25	31
A	50	50
Weight	200	290



	DN	Suitable with
ECVAL15PA	15	ECC15CA2
ECVAL20PA	20	ECC20CA2

## Characteristics

Nickel plated CW617N brass body  
ISO228 threads