

Intellicomfort CH141E-CH143E

Flush mounting weekly programmable thermostat, battery operated and 230V

Electronic programmable thermostat with weekly programming, to control heating and air-conditioning installations.

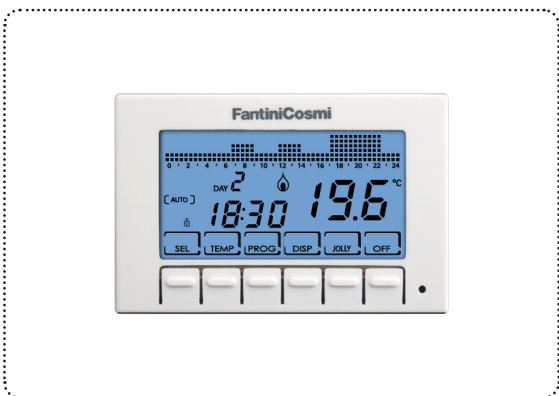
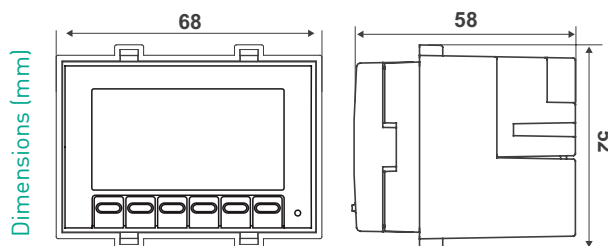


Plate not included in the package.



	Temperature regulation range	Differential*	Temperature displayed range	Adjustable antifreeze temperature range	Power supply	Contacts rating
CH141E	2 ÷ 40 °C	0,25 K	-35 ÷ 60 °C	0 ÷ 7 °C	2 batteries AAA 1,5V	5(3)A 250Vca
CH143E	2 ÷ 40 °C	0,25 K	-35 ÷ 60 °C	0 ÷ 7 °C	230V 50Hz	5(3)A 250Vca

* Differential values are referred to a thermal gradient of 4K/h.



Plate not included in the package.

"MULTIPLATE" FRAME

Compatible with most common plates on the market, thanks to the multiplate frame.

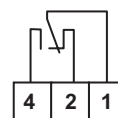
ELECTRICAL FEATURES

Software class A.

Type of action: 1BU (micro disconnection)

Voltage-free switching contact.

As the temperature increases, the thermostat opens contact 1-2 and closes contact 1-4.



HOMOLOGATION AND STANDARDS

Complies with EN 60730-2-9 standards.

ErP Class IV; 2% (Reg. EU 811/2013 - 813/2013)



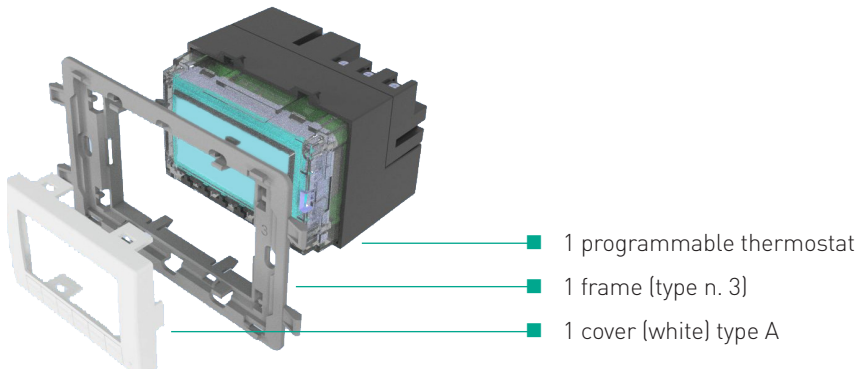
INSTALLATION

Flush-mounting in 3-module 503 embedded boxes by means of 2 screws (supplied).

Two-wire connection with the user.

Install the programmable thermostat at 1,5 meters above the floor, away from kitchens, heat sources, windows and doors.

INCLUDED IN THE PACKAGE



COMPATIBLE PLATES

MODELS	COVER TYPE	FRAME TYPE	TABS TO DETACH	COVER COLOR	ADAPTERS KIT **
Bticino Matix GO	A	3	YES position "A+C"	white	--
				silver	Code 1576884
Bticino Living Now	A	4**	NO	white	Code 1576888
				black	Code 1576889
				sand	Code 1576890
Vimar Eikon Evo	A	3	YES position "A+D"	white	--
Vimar Arké	A	3	NO	white	--
Vimar Linea	C**	3	YES position "A+C+D"	white	Code 1576885
				black	Code 1576886
				sand	Code 1576887

** For some configurations, it is necessary to purchase the adapter kit indicated in the table.

GENERAL FEATURES

LCD display: graphic, 7-segment symbols and digits.

LED, back lighting (blue) display.

Selection of backlight duration.

Possibility to visualize Celsius or Fahrenheit temperature values.

Minimum adjustment differential 0,1°C.

Maximum room temperature 45 °C.

IP20 protection degree.

OPERATION

With Intellicomfort CH141E is possible to extract programmable thermostat's body from the frame after mounting and connections, this for doing more easily the adjusting or programming with the device in hand.

With Intellicomfort CH143E isn't possible to extract programmable thermostat's body.

The programmable thermostat has 6 front keys to access directly the operating modes that can be changed by pressing the corresponding key.

VISUALIZATION

- Ambient temperature
- Current time
- Temperature profile shown by means of histogram
- 6 icons for programming

SETTABLE TEMPERATURES:

- T1 operates system's comfort temperature that can be set from 2°C to 40°C.
- T2 operates system's economy temperature that can be set from 2°C to 40°C (T2<T1).
- T3 operates system's economy temperature that can be set from 2°C to 40°C (T3<T2).
- TA temperature that can be set from 0 to 7°C to ensure frost protection function.

OPERATION MODE

- Weekly automatic (AUTO)
- Manual mode (MAN)
- Daily automatic (HOLIDAY)
- Temporary mode (JOLLY)
- System off (OFF) can be used as an "antifreeze" function or to completely turn off the system

FREQUENT SETTINGS MENU

- summer / winter
- summer time / standard time
- time / day setting

CONFIGURATION MENU

- Celsius / Fahrenheit
- temperature correction
- time profile customization
- activation according to display lighting
- default settings reset