

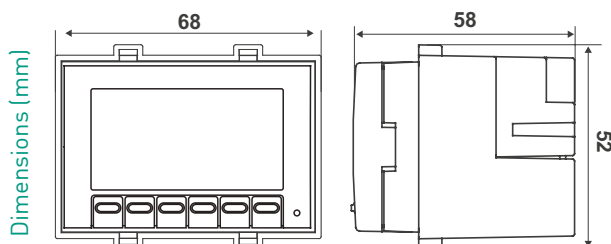
# Intellicomfort CH141AK-CH143AK

Flush mounting weekly programmable thermostat (kit), battery operated and 230V

Electronic programmable thermostat with weekly programming, to control heating and air-conditioning installations.



Plate not included in the package.



	Temperature regulation range	Differential*	Temperature displayed range	Adjustable antifreeze temperature range	Power supply	Contacts rating
CH141AK	2 ÷ 40 °C	0,25 K	-35 ÷ 60 °C	0 ÷ 7 °C	2 batteries AAA 1,5V	5(3)A 250Vca
CH143AK	2 ÷ 40 °C	0,25 K	-35 ÷ 60 °C	0 ÷ 7 °C	230V 50Hz	5(3)A 250Vca

\* Differential values are referred to a thermal gradient of 4K/h.

## “MULTIPLATE” KIT

Suitable for all the plates (3 module) thanks to the KIT consisting of: thermostat, coloured covers (white, sand and black), frames and adaptors.

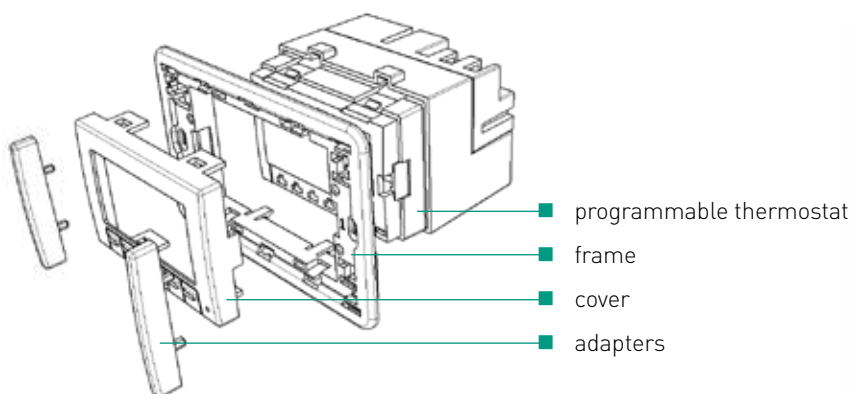


Plate not included in the package.

## HOMOLOGATION AND STANDARDS

Complies with EN 60730-2-9 standards.  
ErP Class IV; 2% (Reg. EU 811/2013 - 813/2013)



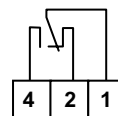
# ELECTRICAL FEATURES

Software class A.

Type of action: 1BU (micro disconnection)

Voltage-free switching contact.

As the temperature increases, the thermostat opens contact 1-2 and closes contact 1-4.



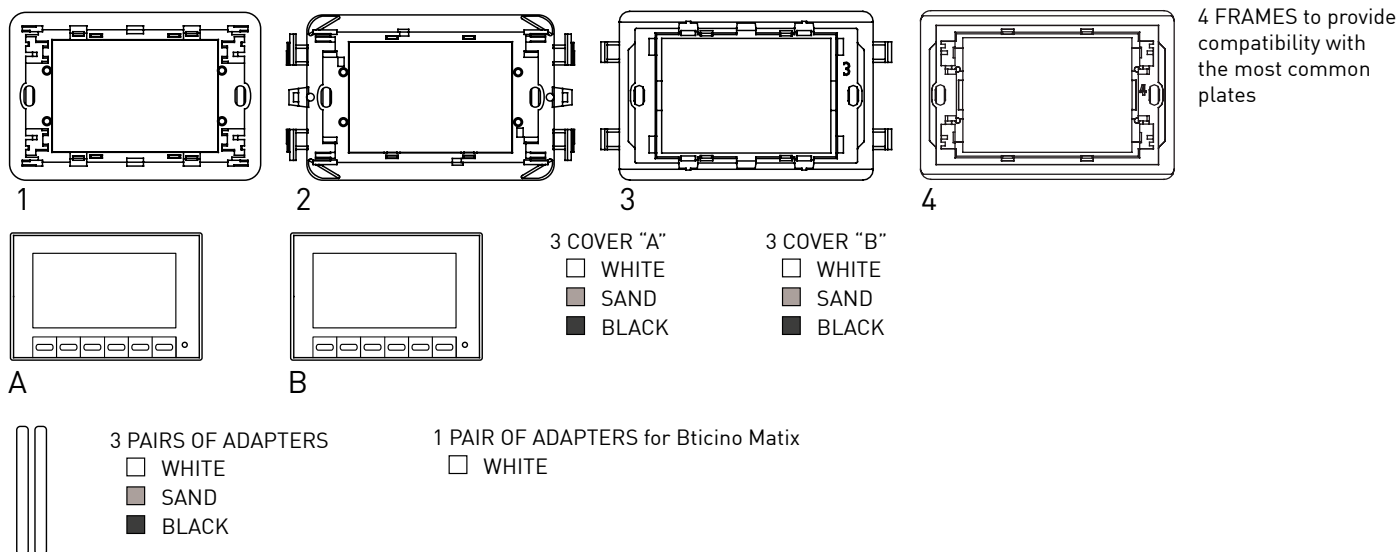
## INSTALLATION

Flush-mounting in 3-module 503 embedded boxes by means of 2 screws (supplied).

Two-wire connection with the user.

Install the programmable thermostat at 1,5 meters above the floor, away from kitchens, heat sources, windows and doors.

## INCLUDED IN THE PACKAGE



## COMPATIBLE PLATES

	COVER TYPE	FRAME TYPE	LATERAL ADAPTERS	TABS TO DETACH	COVER COLOUR	COMPATIBILITY KIT**
Bticino Living International e Transizione Piana	B	1	NO	NO	white / sand / black	--
Bticino Living Light Air	B	3	NO	YES position "A+C+D"	white / sand / black	--
Bticino Light, Light tech	B	1	NO	NO	white / sand / black	--
Bticino Axolute	A	1	NO	NO	white / sand / black	--
Bticino Matix (white)	B	2	YES (dedicated)	YES position "A"	white / sand / black	--
Bticino Matix GO	A	3	NO	"A+C"	white silver	-- Code 1576884
Bticino Living Now	A	4	NO	NO	black sand	Code 1571050 Code 1576902
Bticino Axolute Air	A	4	NO	NO	white / sand / black	--
Vimar Idea e Rondò	B	2	YES	YES position "B"	white / sand / black	--
Vimar Plana e Eikon	B	1	NO	NO	white / sand / black	--
Vimar Eikon Evo	A	3	NO	YES position "A+D"	white	--
Vimar Arké	A	3	NO	NO	white	--
Vimar Arké Fit	A	1	NO	NO	white / sand / black	--
Vimar Linea	C**	3	NO	YES position "A+C+D"	white black sand	Code 1576885 Code 1576886 Code 1576887
Gewiss Chorus One, Lux, Art, Ego, Geo	B	2	NO	YES position "A"	white / sand / black	--
Ave sistema 45: Zama, Banquise, Yes, Ral	B	2	YES	NO	white / sand / black	--
Ave sistema 44: Zama, Personal, Tecnopolimero	A	1	NO	NO	white / sand / black	--
Legrand Cross, Vela quadra, Vela tonda	B	2	NO	YES position "A"	white / sand / black	--
ABB Elos	B	4	YES	NO	white / sand / black	--
ABB Mylos	B	4	NO	NO	white / sand / black	--

\*\* For some configurations, it is necessary to purchase the adapter kit indicated in the table.

# GENERAL FEATURES

---

LCD display: graphic, 7-segment symbols and digits.

LED, back lighting (blue) display.

Selection of backlight duration.

Possibility to visualize Celsius or Fahrenheit temperature values.

Minimum adjustment differential 0,1°C.

Maximum room temperature 45 °C.

IP20 protection degree.

## OPERATION

---

With Intellicomfort CH141AK is possible to extract programmable thermostat's body from the frame after mounting and connections, this for doing more easily the adjusting or programming with the device in hand.

With Intellicomfort CH143AK isn't possible to extract programmable thermostat's body.

The programmable thermostat has 6 front keys to access directly the operating modes that can be changed by pressing the corresponding key.

### VISUALIZATION

- Ambient temperature
- Current time
- Temperature profile shown by means of histogram
- 6 icons for programming

### SETTABLE TEMPERATURES:

- T1 operates system's comfort temperature that can be set from 2°C to 40°C.
- T2 operates system's economy temperature that can be set from 2°C to 40°C (T2<T1).
- T3 operates system's economy temperature that can be set from 2°C to 40°C (T3<T2).
- TA temperature that can be set from 0 to 7°C to ensure frost protection function.

### OPERATION MODE

- Weekly automatic (AUTO)
- Manual mode (MAN)
- Daily automatic (HOLIDAY)
- Temporary mode (JOLLY)
- System off (OFF) can be used as an "antifreeze" function or to completely turn off the system

### FREQUENT SETTINGS MENU

- summer / winter
- summer time / standard time
- time / day setting

### CONFIGURATION MENU

- Celsius / Fahrenheit
- temperature correction
- time profile customization
- activation according to display lighting
- default settings reset